

SBN - SBN A2 | AISI304

SELF-DRILLING METAL SCREW

TIP FOR METAL

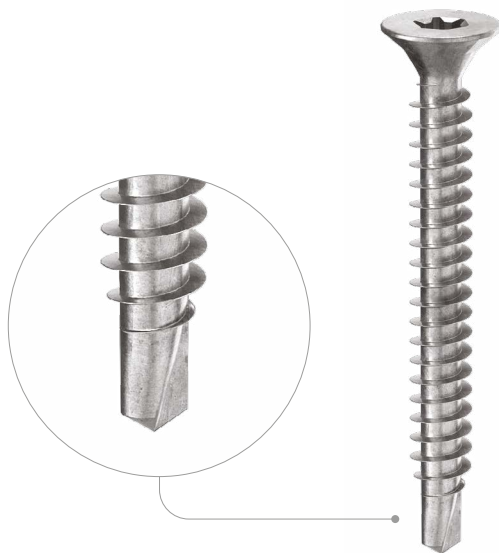
Special self-perforating tip for iron and steel in thicknesses ranging from 0,7 mm to 5,25 mm. Ideal for fastening overlapping sections of metal and sheet metal.

FINE THREAD

Fine thread ideal for precise fastening on sheet metal or for metal-to-metal or timber-to-metal couplings.

STAINLESS STEEL

Also available in a bimetal version with head and body in A2 | AISI304 stainless steel and tip in carbon steel. Ideal for outdoor fastening of clips on aluminium supports.



DIAMETER [mm]

3,5 **3,5** 5,5 8

LENGTH [mm]

25 **25** 50 240

SERVICE CLASS

SC1 **SC2** **SC3**

ATMOSPHERIC CORROSIVITY

C1 **C2** **C3** **C4**

WOOD CORROSIVITY

T1 **T2** **T3** **T4**

MATERIAL

Zn
ELECTRO
PLATED electrogalvanized carbon steel

A2
AISI 304 A2 | AISI304 austenitic stainless steel
(CRC II)



FIELDS OF USE

Direct fastening, without pre-drill, of metal structural elements to steel substructures (maximum thickness: 5,25 mm).

CODES AND DIMENSIONS

SBN

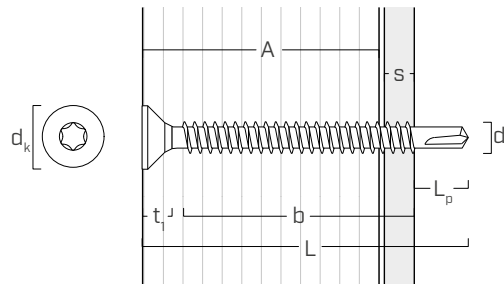
d_1 [mm]	CODE	L [mm]	b [mm]	A [mm]	s [mm]	pcs
3,5 TX 15	SBN3525	25	16	16	0.7 ÷ 2.25	500
3,9 TX 15	SBN3932	35	27	23	0.7 ÷ 2.40	200
4,2 TX 20	SBN4238	38	30	29	1.75 ÷ 3.00	200
4,8 TX 25	SBN4845	45	34	34	1.75 ÷ 4.40	200
5,5 TX 25	SBN5550	50	38	38	1.75 ÷ 5.25	200

SBN A2 | AISI304

d_1 [mm]	CODE	L [mm]	b [mm]	A [mm]	s [mm]	pcs
3,5 TX 15	SBNA23525	25	18	20	0.7 ÷ 2.25	1000
3,9 TX 15	SBNA23932	32	24	25	0.7 ÷ 2.40	1000

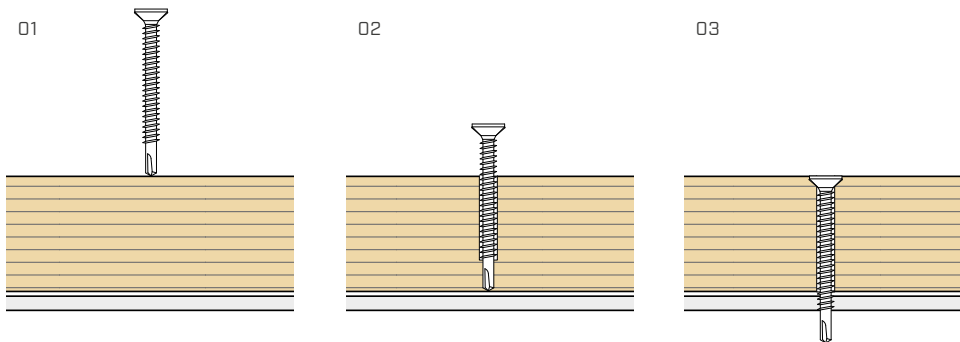
s thickness that can be drilled, metal plate (steel or aluminium)

GEOMETRY



			SBN					SBN A2	
Nominal diameter	d_1	[mm]	3,5	3,9	4,2	4,8	5,5	3,5	3,9
Head diameter	d_k	[mm]	6,50	7,50	7,90	9,30	10,60	7,30	7,50
Head thickness	t_1	[mm]	2,60	3,80	3,60	3,90	4,10	3,40	3,80
Tip length	L_p	[mm]	5,0	5,2	6,2	6,6	7,5	4,9	5,2

INSTALLATION



RECOMMENDATIONS FOR SCREWING:

steel: $v_s \approx 1000 - 1500$ rpm
aluminium: $v_A \approx 600-1000$ rpm



SBN A2 | AISI304

Ideal for outdoor fastening to standard Rothoblaas aluminium clips.

See CLIP for decks from page 356.