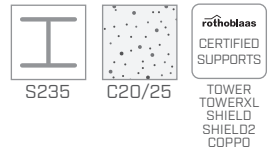
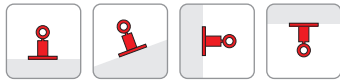


PATROL + SPEAR

INSTALLATION MANUAL



INCLUDED IN THE PACKAGE

EN 795:2012 C + SHIELD | SHIELD 2 | COPPO
AS/NZS 1891.2:2001 + SHIELD | SHIELD 2



EN 795:2012 C

CEN/TS 16415:013

UNI 11578:2015 C

AS/NZS 1891.2:2001



 read also:



+



=



**PATROL +
SPEAR**
Installation
Manual

**PATROL +
SPEAR**
Safety
Regulations



SAFETY INSTRUCTIONS

- IT** L'installazione e/o utilizzo del prodotto Rotho Blaas è permessa solo a personale esperto previa lettura e comprensione del **1** **MANUALE D'INSTALLAZIONE** e delle **2** **NORME DI SICUREZZA** nella lingua del relativo Paese di utilizzo.
- DE** Die Installation und/oder die Verwendung des Produkts von Rotho Blaas ist ausschließlich Fachpersonal vorbehalten, nachdem es das **1** **INSTALLATIONSHANDBUCH** und die **2** **SICHERHEITSVORSCHRIFTEN** in der Sprache des Verwendungslandes gelesen und verstanden hat.
- EN** Only qualified personnel may install and/or use this Rotho Blaas product, after reading and understanding the **1** **INSTALLATION MANUAL** and the **2** **SAFETY REGULATIONS**, in the language of the country of use.
- ES** La instalación e/ou el uso del producto Rotho Blaas solo están permitidos al personal experto después de haber leído y comprendido el **1** **MANUAL DE INSTALACIÓN** y las **2** **NORMAS DE SEGURIDAD** en el idioma del país en el que se utiliza.
- FR** Seul le personnel expérimenté peut installer et/ou utiliser ce produit Rotho Blaas, après avoir lu et compris le **1** **MANUEL D'INSTALLATION** et les **2** **NORMES DE SÉCURITÉ** dans la langue du pays où le produit est utilisé.
- PT** A instalação e/ou utilização do produto Rotho Blaas só é permitida a pessoal especializado após a leitura e compreensão do **1** **MANUAL DE INSTALAÇÃO** e das **2** **NORMAS DE SEGURANÇA** na língua do respetivo país onde será utilizado.
- RU** К установке и (или) использованию продукции Rotho Blaas допускается только высококвалифицированный персонал после обязательного прочтения и усвоения **1** **РУКОВОДСТВО ПО УСТАНОВКЕ** и **2** **ПРАВИЛ ТЕХНИКИ БЕЗОПАСНОСТИ** на языке соответствующей страны использования.
- CS** Instalace a/nebo použití výrobku Rotho Blaas je povoleno pouze odborným osobám po přečtení a pochopení **1** **NÁVODU K INSTALACI** a **2** **BEZPEČNOSTNÍCH PŘEDPISŮ** v jazyce příslušné země použití.
- DA** Kun kvalificeret personale må installere og/eller bruge dette Rotho Blaas-produkt efter at have læst og forstået den **1** **INSTALLATIONSMANUALEN** og **2** **SIKKERHEDSFORSKRIFTERNE** på brugerens sprog.
- EL** Η εγκατάσταση ή/και η χρήση του προϊόντος Rotho Blaas επιτρέπεται μόνο σε έμπειρο προσωπικό που έχει διαβάσει και κατανοήσει τις **1** **ΕΓΧΕΙΡΙΔΙΟ ΕΓΚΑΤΑΣΤΑΣΗΣ** και τους **2** **ΚΑΝΟΝΙΣΜΟΥΣ ΑΣΦΑΛΕΙΑΣ** στη γλώσσα της σχετικής χώρας χρήσης.
- ET** Antud Rotho Blaasi toodet tohib paigaldada ja / või kasutada ainult kvalifitseeritud personal, kes on lugenud kasutamise riigi keeles **1** **PAIGALDUSJUHENDIS** ja **2** **OHUTUSEESKIRJU** ning nendest aru saanud.
- FI** Tämän Rotho Blaas -tuotteen asennus ja/tai käyttö on sallittu vain asiantuntevan henkilöstön toimesta sen jälkeen, kun he ovat lukeneet ja ymmärtäneet **1** **ASENNUSOHJEIDEN** ja **2** **TURVALLISUUSMÄÄRÄYKSET** käyttömaan kielellä.
- HR** Postavljanje i/ili uporaba proizvoda Rotho Blaas dopuštena je samo stručnom osoblju koje je prethodno pročitalo i razumjelo **1** **UPUTA ZA MONTAŽU** kao i **2** **PROPISE O SIGURNOSTI** na jeziku zemlje uporabe.
- HU** A Rotho Blaas terméket kizárólag hozzáértő személyzet szerelheti be és/vagy használhatja, az adott országnak megfelelő nyelven **1** **TELEPÍTÉSI KÉZIKÖNYV** és **2** **BIZTONSÁGI SZABÁLYOK** elolvasása és megértése után.



TOOLS



(1) VINYLESTER CHEMICAL ANCHOR WITHOUT STYRENE

INFORMATIONS

Type	Name or logo of manufacturer/distributor
Rothoblaas	ROTHOBLAAS
PATROL - SPEAR	Batch number and year of manufacture
Related standard(s)	N/MM/YYYY
EN 795:2012 C	(N = lot number - MM = month - YYYY = year)
CEN/TS 16415:2013	
UNI 11578:2015 C	

SAFETY INSTRUCTIONS

- IS** Aðeins þjálfað starfsfólk má setja upp og/eða nota þessa Rotho Blaas-vöru eftir að hafa lesið og skilið **1 UPPSETNINGARHANDBÓKAR** og **2 REGLUGERDIR UM ÖRYGGI** á tungumáli þess lands sem varan er notuð í.
- LT** Produktą „Rotho Blaas” montuoti ir (arba) naudoti leidžiama tik patyrusiam personalui, prieš tai parskaičius ir supratus **1 MONTAVIMO VADOVE** ir **2 SAUGOS TAISYKLES** atitinkamos šalies, kurioje eksploatuojama, kalba.
- LV** Rotho Blaas produkta uzstādīšana un/vai lietošana ir atļauta tikai pieredzējušam darbiniekam pēc **1 UZSTĀDĪŠANAS ROKASGRĀMATĀ** un **2 DROŠĪBAS NOTEIKUMU** izlasīšanas un izpratnes atiecīgās valsts valodā, kurā produkts tiks lietots.
- NL** De installatie en/of het gebruik van het product Rotho Blaas is voorbehouden aan uitsluitend vakbekwaam personeel dat de **1 INSTALLATIEHANDLEIDING** en de **2 VEILIGHEIDSVOORSCHRIFTEN** in de taal van het land van gebruik gelezen en begrepen heeft.
- NO** Dette Rotho Blaas-produktet skal bare installeres og/eller brukes av kvalifisert personell som har lest og forstått **1 INSTALLASJONSHÅNDBOKEN** og **2 SIKKERHETSFORSKRIFTENE**, på det språket som brukes i landet produktet anvendes.
- PL** Instalacji i/lub użytkowania produktu Rotho Blaas może dokonać wyłącznie doświadczony personel, który przeczytał i zrozumiał **1 INSTRUKCJĘ INSTALACJI** oraz normy **2 BEZPIECZEŃSTWA** w języku kraju użytkowania.
- RO** Instalarea și/sau utilizarea produsului Rotho Blaas este permisă numai personalului expert, după ce a citit și înțeles **1 MANUALUL DE INSTALARE** și **2 NORMELE DE SIGURANȚĂ** în limba țării de utilizare a produsului.
- SK** Inštalácia a/alebo používanie produktu Rotho Blaas je povolené len skúsenému personálu po predchádzajúcom prečítaní a pochopení **1 NÁVODE NA INŠTALÁCIU** a **2 BEZPEČNOSTNÝCH NORIEM** v jazyku príslušnej krajiny používania.
- SL** Ta proizvod Rotho Blaas lahko namesti in/ali uporablja samo izkušeno osebeje, ki je prebralo in razume vse **1 NAVODILIH ZA VGRADNJO** in **2 VARNOSTNE PREDPISE** v jeziku države njegove uporabe.
- SV** Endast erfaren personal får installera och/eller använda den här Rotho Blaas-produkten efter att **1 INSTALLATIONSANVISNINGARNA** och **2 SÄKERHETS FÖRESKRIFTER** har lästs igenom på språket i installationslandet.
- TR** Sadece yetkili personel **1 KURULUM KILAVUZUNDA** ve **2 GÜVENLİK MEVZUATINI** ürünüün kullandıgı ülke dilinde okuyup anladıktan sonra Rotho Blaas ürünüünü kurabilir ve/veya kullanabilir.
- JA** Rotho Blaas製品の施工および使用は、資格を有する専門家のみに許可されています。施工および使用の前に、必ず使用する国の言語で**1設置マニュアル**と**2安全規則**をお読み下さい。
- ZH** 只有具备合格资质的人员在阅读并理解以使用国的语言编写的**1安装手册**和**2安全规程**后才能安装和/或使用该Rotho Blaas产品。
- AR** يمكن فقط للفنيين المؤهلين باستخدام أو تركيب منتج Rotho Blaas بعد قراءة وفهم دليل التثبيت **1** نظر السلامة **2** بلغة البلد المستخدم فيها المنتج



PRODUCT INFORMATION

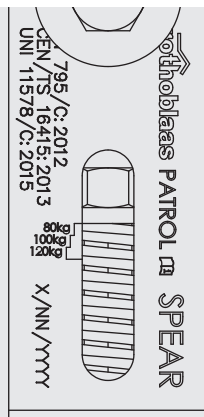
EN 795:2012 C	CEN/TS 16415:2013	UNI 11578:2015 C
AS/NZS 1891.4:2009	AS/NZS 1891.2:2001	
1.4301 AISI304 INOX	1.4401 AISI316 INOX	



EN 795:2012 C
CEN/TS 16415:013
UNI 11578:2015 C

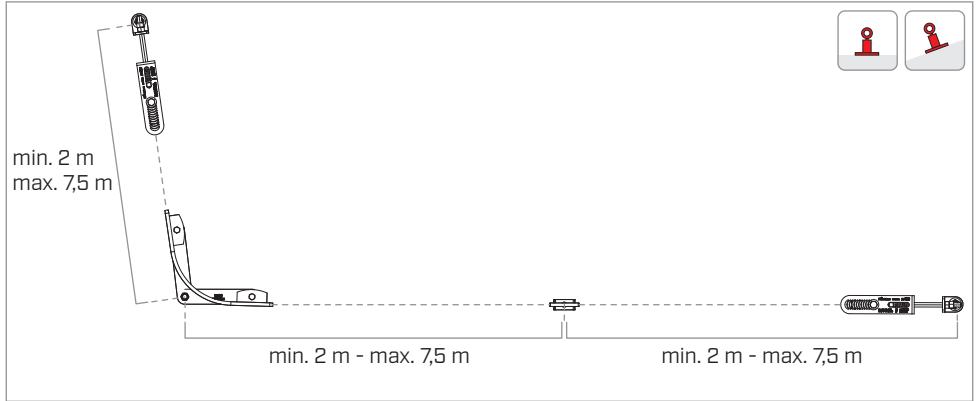


- IT** △ Verificare idoneità statica del sottofondo di montaggio!
- DE** △ Die statische Eignung des Montageuntergrundes sicherstellen!
- EN** △ Check the static suitability of the installation substrate!
- ES** △ Compruebe la idoneidad estática del sustrato de montaje!
- FR** △ Vérifier l'adéquation statique du substrat d'assemblage!

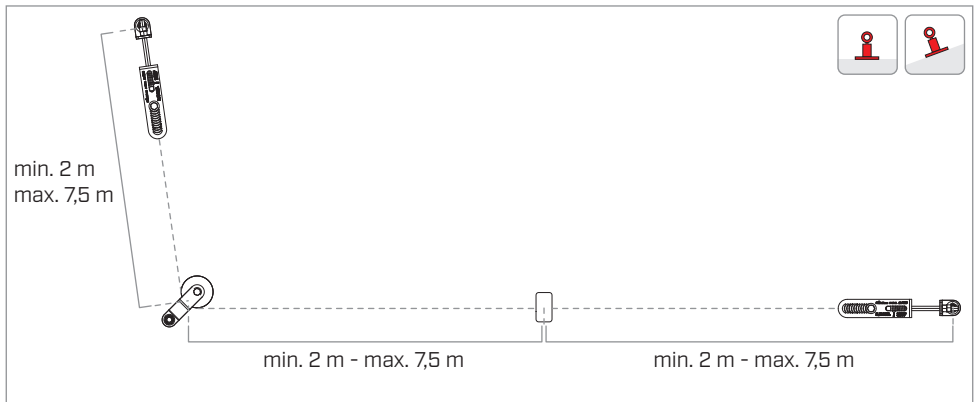


■ TECHNICAL DATA

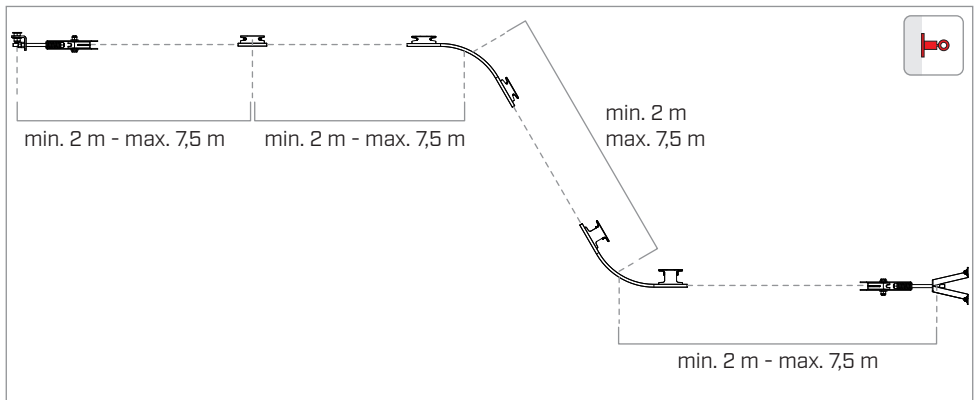
PATROL HORIZONTAL: PASSING-THROUGH LIFELINE



PATROL HORIZONTAL: NON PASSING-THROUGH LIFELINE

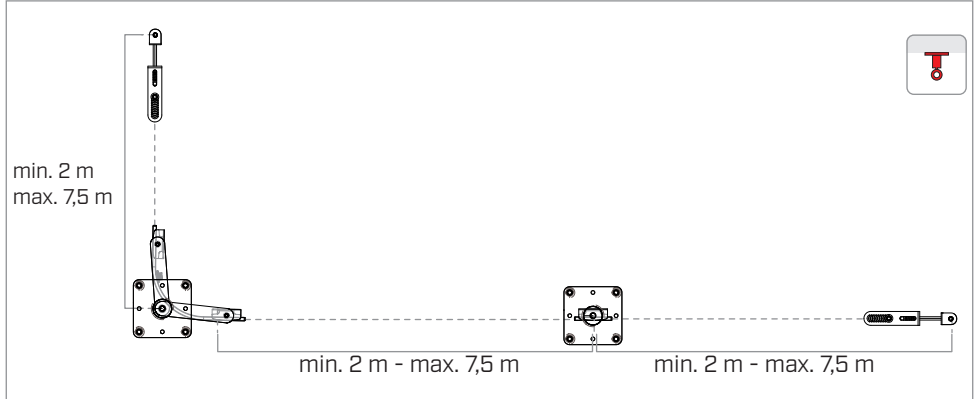


PATROL ON WALL

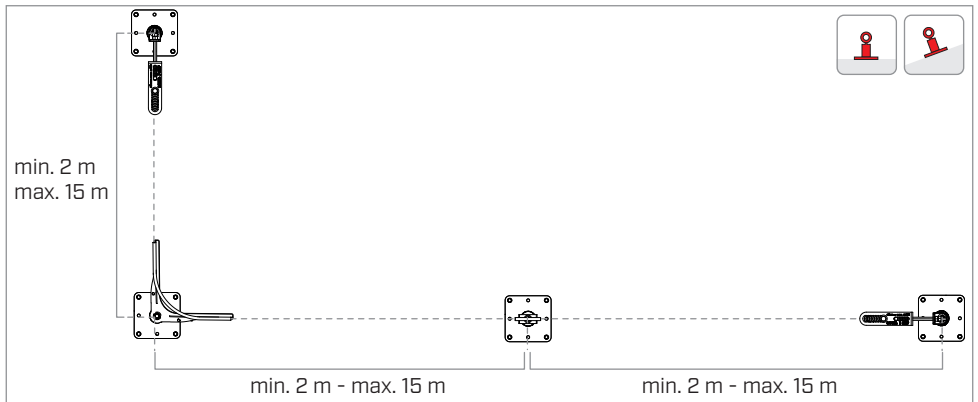


■ TECHNICAL DATA

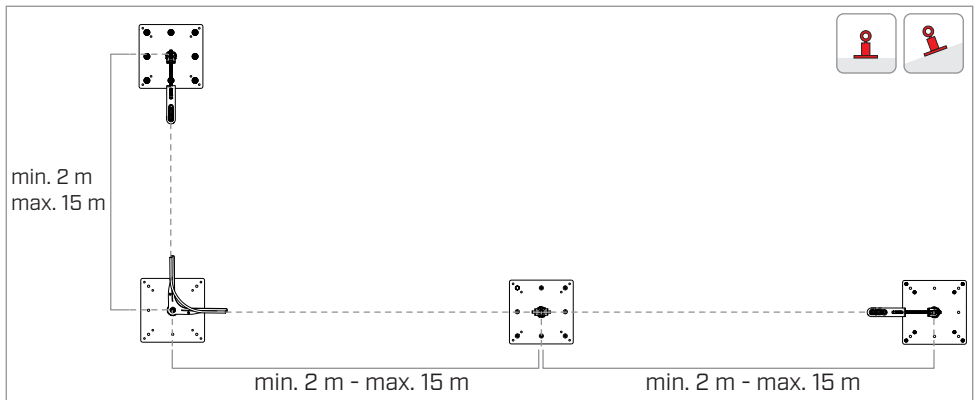
PATROL OVERHEAD



PATROL ON TOWER

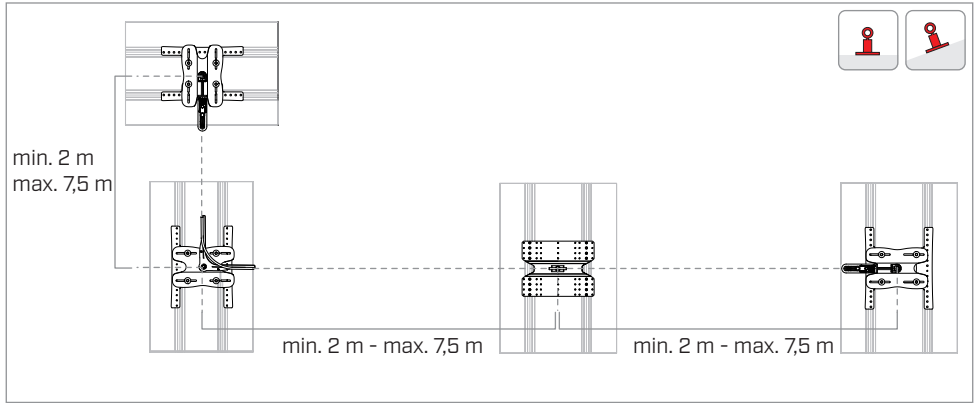


PATROL ON TOWER XL

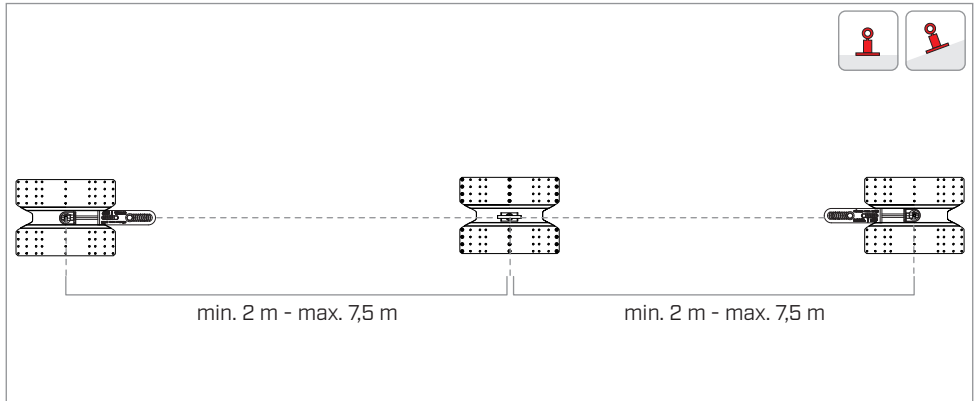


■ TECHNICAL DATA

PATROL ON SHIELD



PATROL ON COPPO



■ COMPONENTS

TERMINALS

PATROLEND - PATROLEND A4	page 8
PAREND - PAREND A4	page 8
PATROLTERM - PATROLTERM A4	page 9
PATROLTERM L	page 9

INTERMEDIATES

PATROLINT	page 10
PATROLMED	page 10
PASINT - PASINT A4	page 11
PARINTER - PARINTER A4	page 11
OHINT	page 12

CORNERS

PATROLANG	page 13
PASANG - PASANG A4	page 13
PASANGBEND - PASANGBEND A4	page 14
ANGSUP - ANGUSUP A4	page 14
PARIN - PARIN A4	page 15
PAREX - PAREX A4	page 15
PARINBEND - PARINBEND A4	page 16
PAREXBEND - PAREXBEND A4	page 16
OHANGINT - OHANGINT A4	page 17
OHANGEXT - OHANGEXT A4	page 17
OHANGBEND - OHANGBEND A4	page 18

SHUTTLES

SLIDE - SLIDE A4	page 19
SLIDE 2 - SLIDE 2 A4	page 19
OHSLIDE - OHSLIDE A4	page 20

ABSORBER KIT

SPEAR - SPEAR A4	page 21
------------------------	---------

PATROLEND - PATROLEND A4

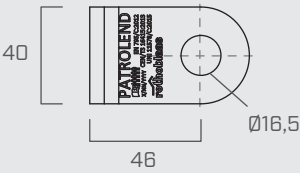
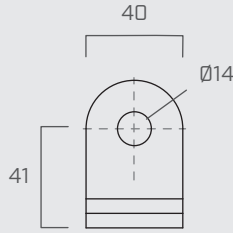
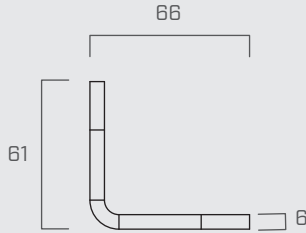


1.4301
AISI304
INOX
PATROLEND

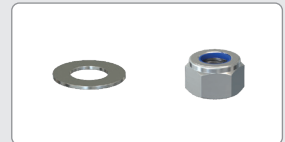
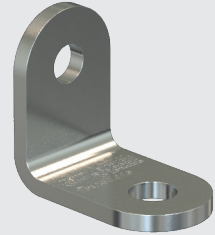
1.4401
AISI316
INOX
PATROLEND A4

C20/25

S235



PATROLEND
 EN 795/C:2012
 X/NN/YYYY CEN/TS 16415:2013
 UNI 11578/C:2015
rothenblaas



INCLUDED IN THE PACKAGE

PAREND - PAREND A4

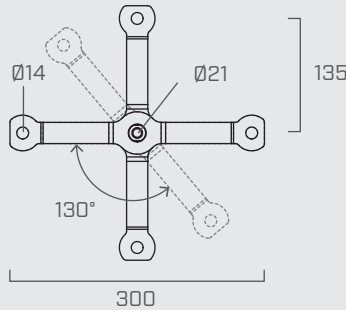
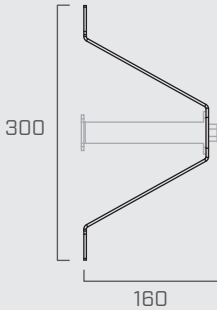


1.4301
AISI304
INOX
PAREND

1.4401
AISI316
INOX
PAREND A4

C20/25

S235



PAREND
 EN 795/C:2012
 X/NN/YYYY CEN/TS 16415:2013
 UNI 11578/C:2015
rothenblaas



INCLUDED IN THE PACKAGE

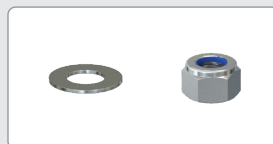
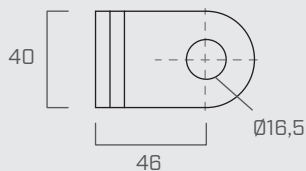
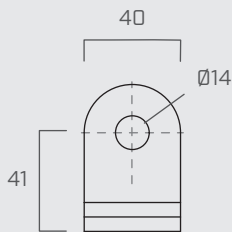
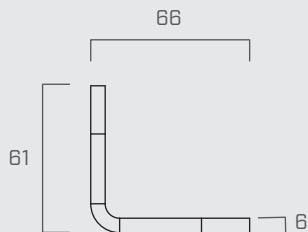
PATROLTERM - PATROLTERMA4



1.4301
AISI304
INOX
PATROLTERM

1.4401
AISI316
INOX
PATROLTERMA4

rothoblaas
CERTIFIED
SUPPORTS
TOWER
SHIELD
COPPO



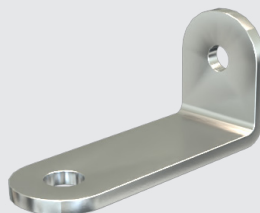
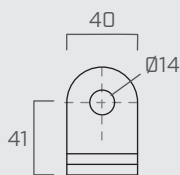
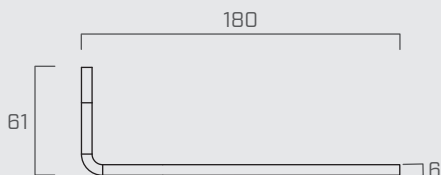
INCLUDED IN THE PACKAGE

PATROLTERM L



1.4301
AISI304
INOX

rothoblaas
CERTIFIED
SUPPORTS
TOWER
SHIELD



INCLUDED IN THE PACKAGE

PATROLINT

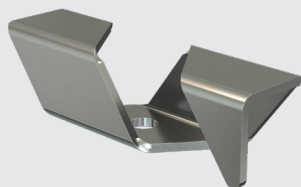
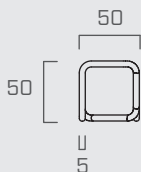
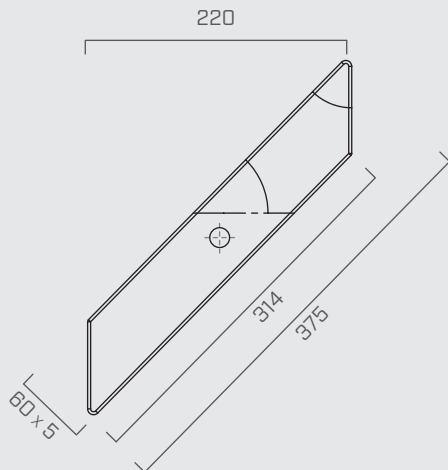


1.4301
AISI304
INOX



rothoblaas
CERTIFIED
SUPPORTS

SHIELD
SHIELD2
TOWER
COPPO



INCLUDED IN THE PACKAGE

PATROLMED

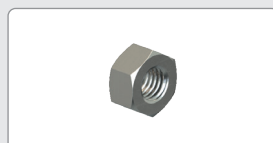
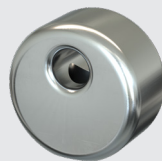
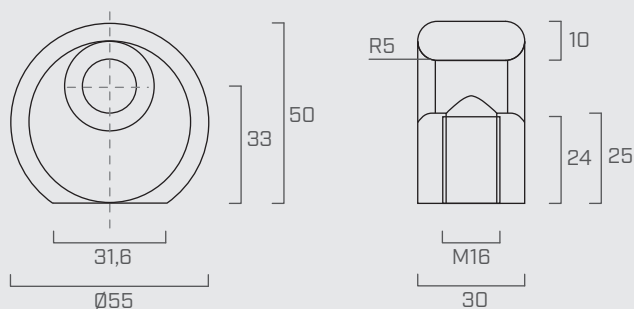


1.4301
AISI304
INOX



rothoblaas
CERTIFIED
SUPPORTS

SHIELD
SHIELD2
TOWER
COPPO



INCLUDED IN THE PACKAGE

PASINT - PASINT A4



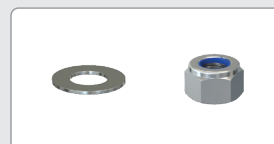
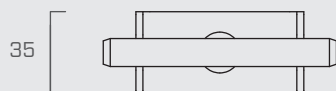
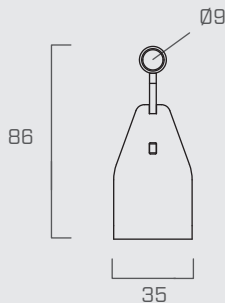
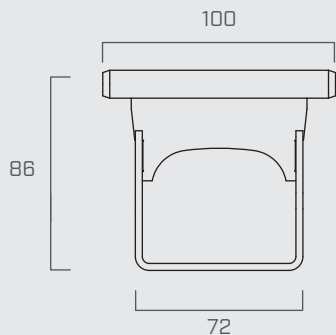
1.4301
AISI304
INOX
PASINT

1.4401
AISI316
INOX
PASINTA4

C20/25

S235

rothblaas
CERTIFIED
SUPPORTS
SHIELD
SHIELD2
TOWER
COPPO



INCLUDED IN THE PACKAGE

PARINTER - PARINTER A4

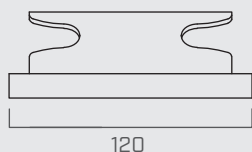
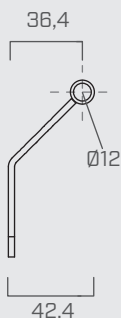
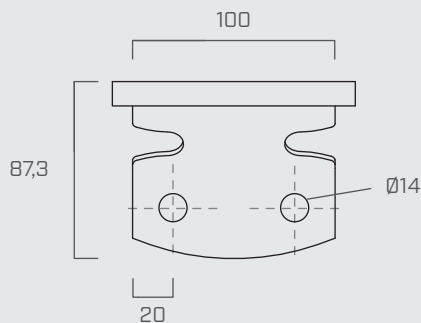


1.4301
AISI304
INOX
PARINTER

1.4401
AISI316
INOX
PARINTERA4

C20/25

S235



OHINT



1.4301
AISI304
INOX

OHINT

1.4401
AISI316
INOX

OHINTA4



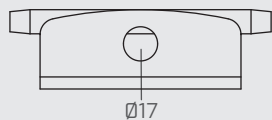
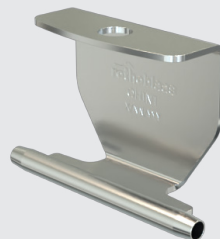
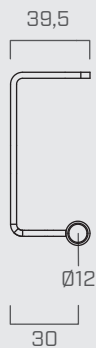
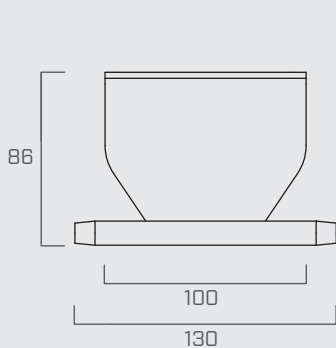
C20/25



S235



rothoblaas
CERTIFIED
SUPPORTS
TOWER



INCLUDED IN THE PACKAGE

PATROLANG



1.4301
AISI304
INOX

AL
EN-AW
6082



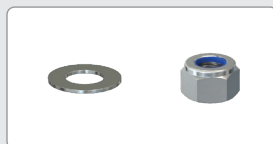
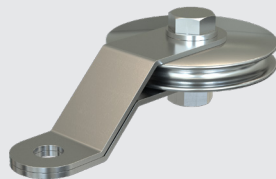
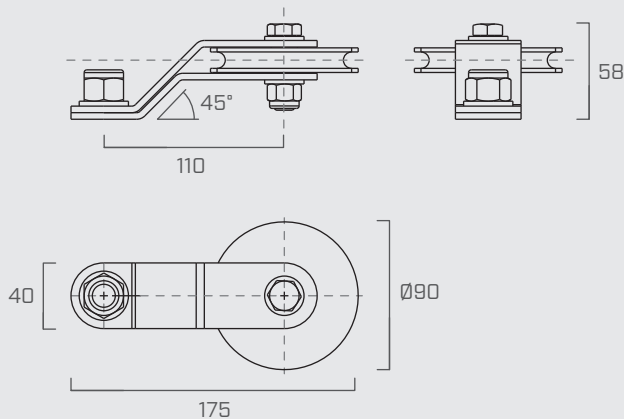
C20/25



S235



CERTIFIED
SUPPORTS
SHIELD
TOWER



INCLUDED IN THE PACKAGE

PASANG - PASANG A4



1.4301
AISI304
INOX

PASANG

1.4401
AISI318
INOX

PASANGA4



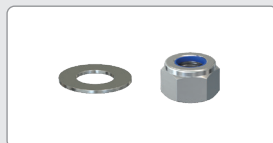
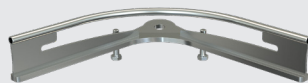
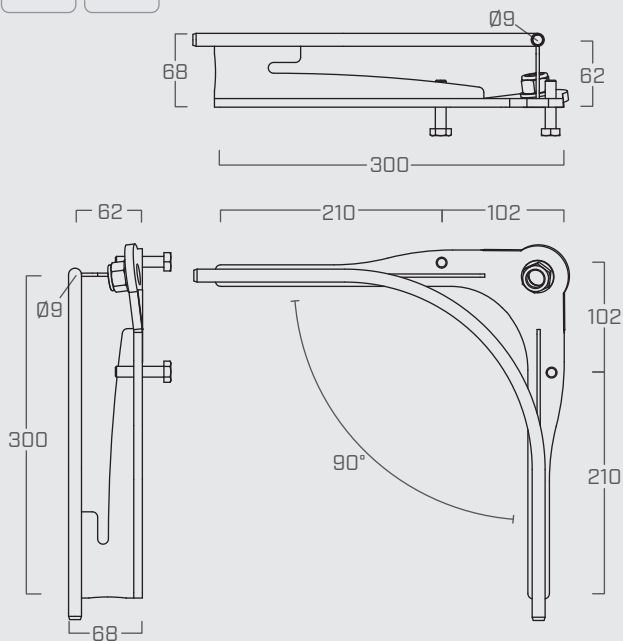
C20/25



S235



CERTIFIED
SUPPORTS
SHIELD
TOWER



INCLUDED IN THE PACKAGE

PASANGBEND - PASANGBEND A4

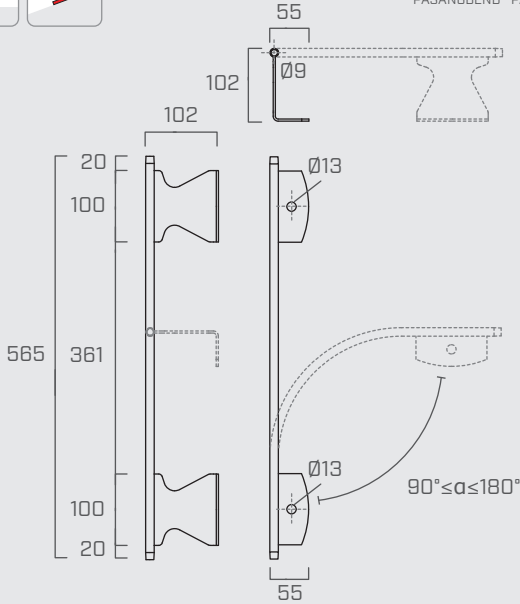


1.4301
AISI304
INOX
PASANGBEND

1.4401
AISI316
INOX
PASANGBENDA4

C20/25

S235



ANGSUP - ANGSUP A4



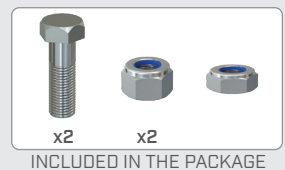
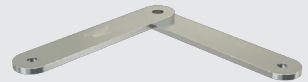
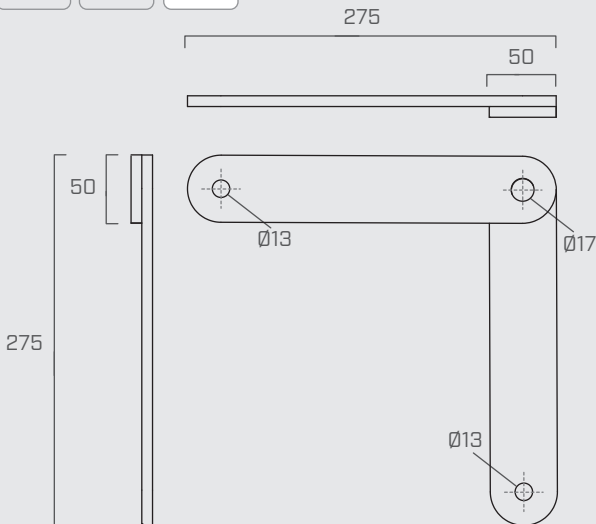
1.4301
AISI304
INOX
ANGSUP

1.4401
AISI316
INOX
ANGSUPA4

C20/25

S235

rothoblaas
CERTIFIED
SUPPORTS
TOWER
SHIELD



■ **PARIN - PARIN A4**



1.4301
AISI304
INOX

PARIN

1.4401
AISI316
INOX

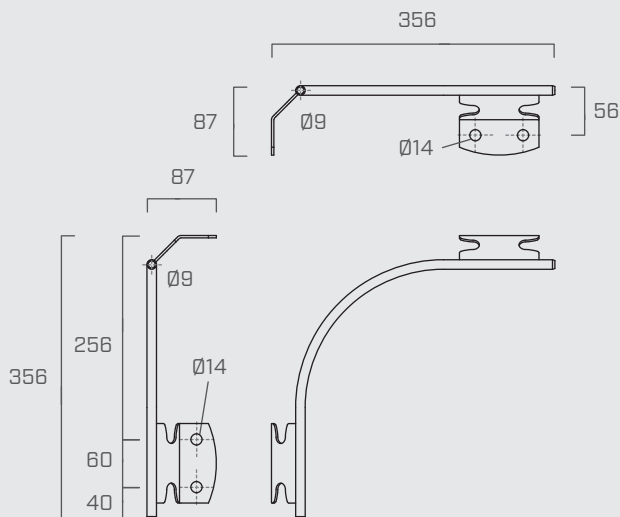
PARINA4



C20/25



S235



■ **PAREX - PAREX A4**



1.4301
AISI304
INOX

PAREX

1.4401
AISI316
INOX

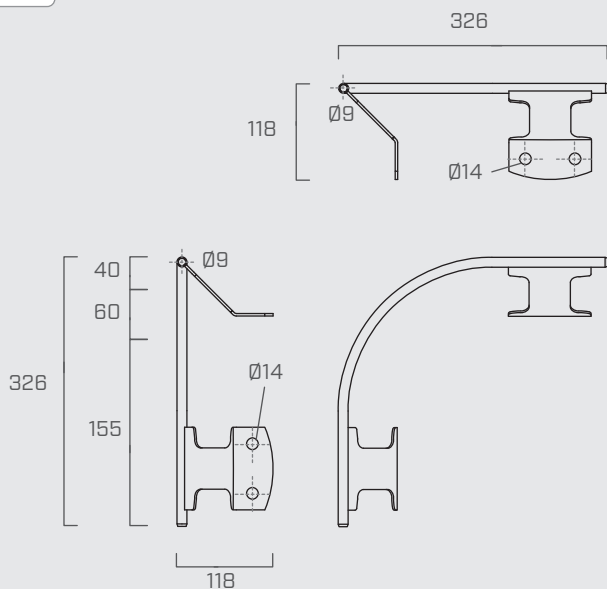
PAREXA4



C20/25



S235



■ **PARINBEND - PARINBEND A4**



1.4301
AISI304
INOX

PARINBEND

1.4401
AISI316
INOX

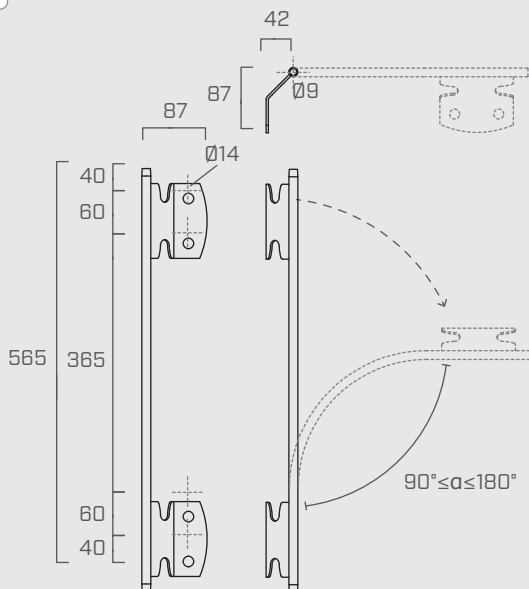
PARINBENDA4



C20/25



S235



■ **PAREXBEND - PAREXBEND A4**



1.4301
AISI304
INOX

PAREXBEND

1.4401
AISI316
INOX

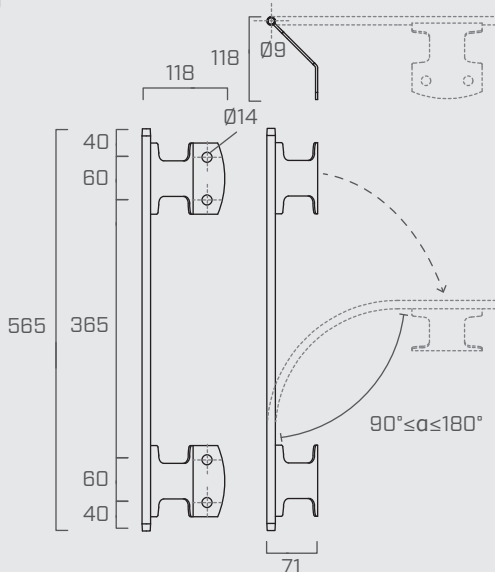
PAREXBENDA4



C20/25



S235



OHANGINT - OHANGINT A4



1.4301
AISI304
INOX

OHANGINT

1.4401
AISI316
INOX

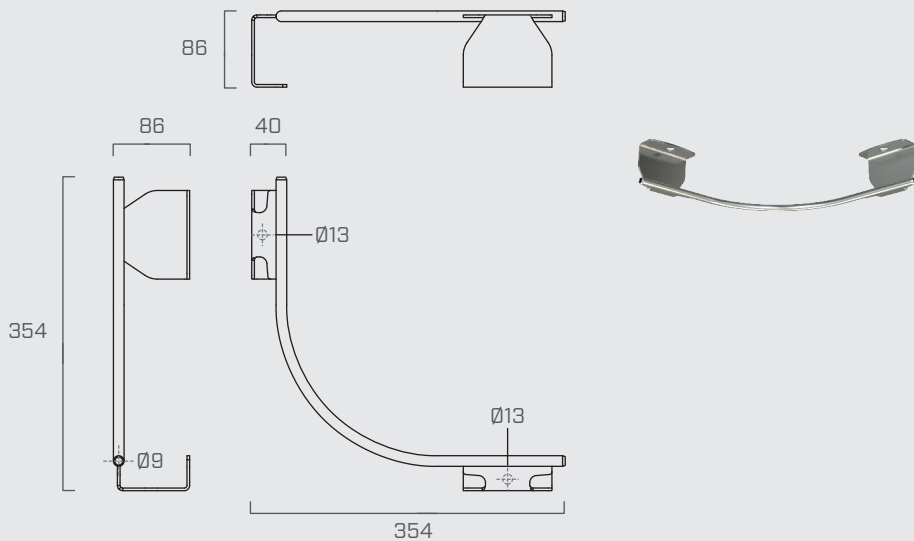
OHANGINTA4



C20/25



S235



OHANGEXT - OHANGEXT A4



1.4301
AISI304
INOX

OHANGEXT

1.4401
AISI316
INOX

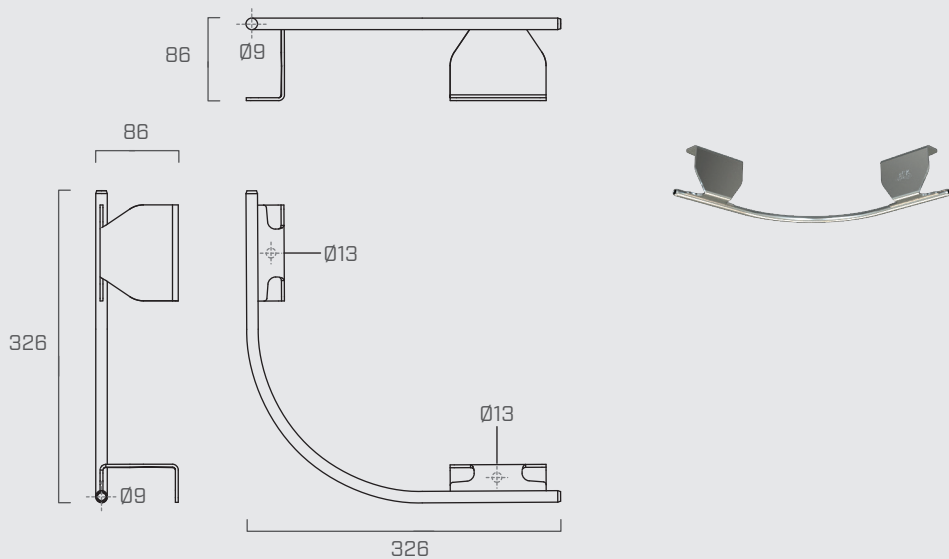
OHANGEXTA4



C20/25



S235



OHANGBEND - OHANGBEND A4



1.4301
AISI304
INOX

OHANGBEND

1.4401
AISI316
INOX

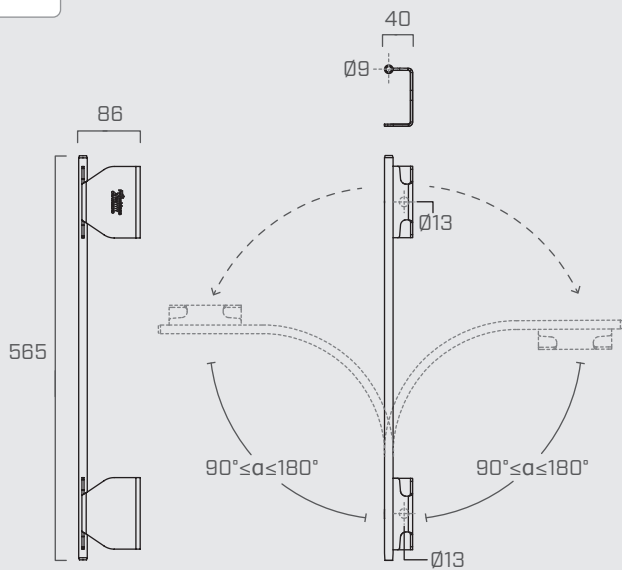
OHANGBENDA4



C20/25



S235



■ SLIDE - SLIDE A4

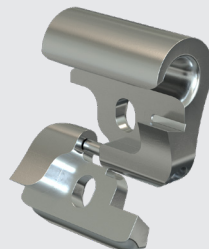
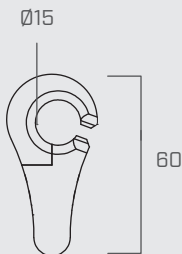
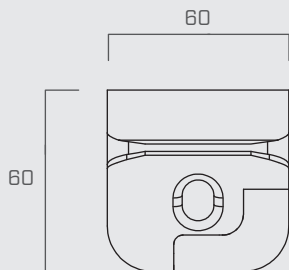



1.4301
AISI304
INOX
SLIDE

1.4401
AISI316
INOX
SLIDEA4



SLIDE1-SLIDE2-OHSLIDE
Installation
Manual



rothoblaas SLIDE1
EN 795:2012 C
UNI 11578:2015 C 
X/NN/YYYY
For use with Rothoblaas
patrol system Ø8 mm



INCLUDED IN THE PACKAGE
CARSCREW [AZ 011]

■ SLIDE 2 - SLIDE 2 A4

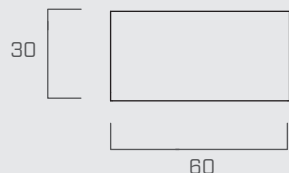
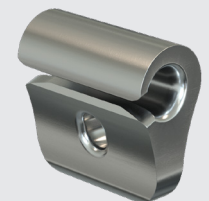
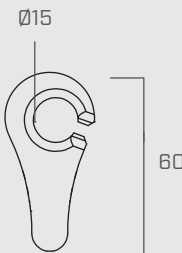
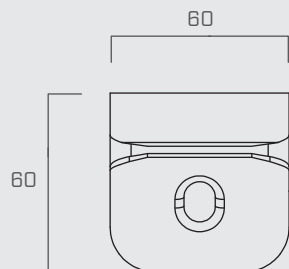



1.4301
AISI304
INOX
SLIDE2

1.4401
AISI316
INOX
SLIDE2A4



SLIDE1-SLIDE2-OHSLIDE
Installation
Manual



rothoblaas SLIDE2
EN 795:2012 C
UNI 11578:2015 C 
X/NN/YYYY
For use with Rothoblaas
patrol system Ø8 mm



INCLUDED IN THE PACKAGE
CARSCREW [AZ 011]

OHSLIDE - OHSLIDE A4



1.4301
AISI304
INOX

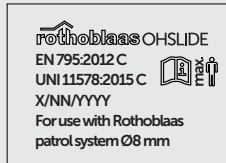
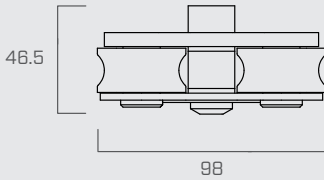
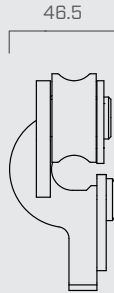
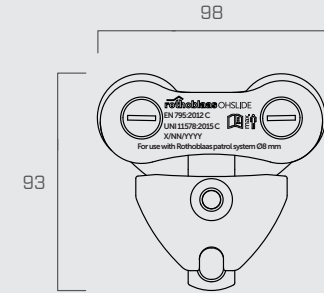
OHSLIDE

1.4401
AISI316
INOX

OHSLIDEA4



SLIDE1-SLIDE2-OHSLIDE
Installation
Manual



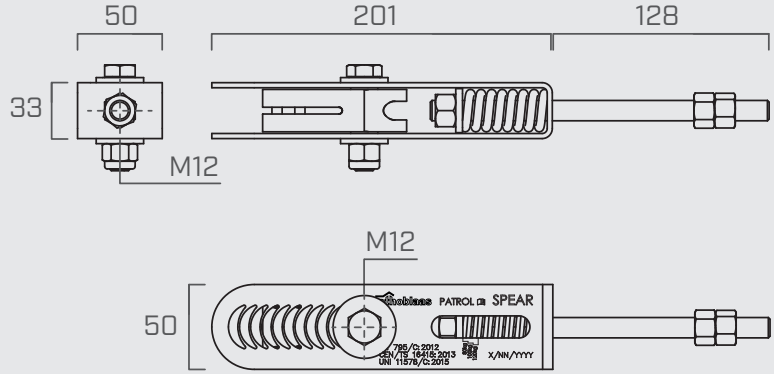
INCLUDED IN THE PACKAGE
CARSCREW [AZ 011]

■ **SPEAR - SPEAR A4**

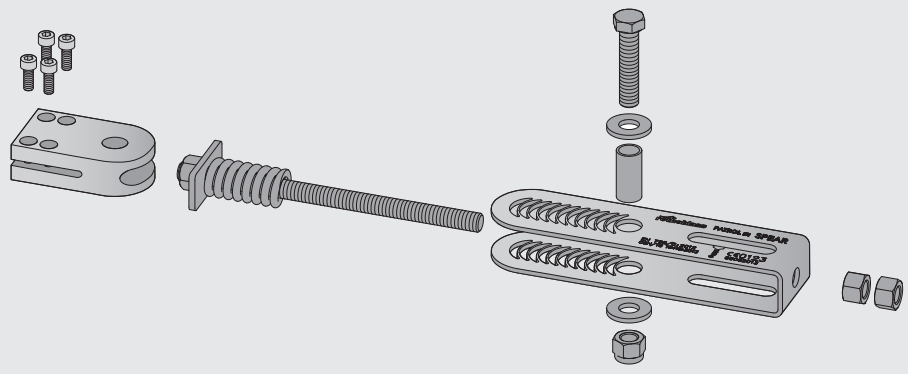


1.4301
AISI304
INOX
SPEAR

1.4401
AISI316
INOX
SPEARA4



INCLUDED IN THE PACKAGE



SUPPORT INSTALLATION

■ ON TOWER

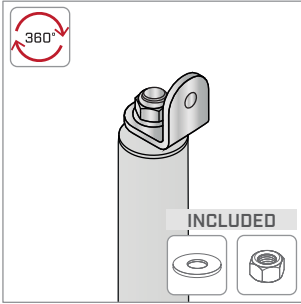


TOWER
TOWERA2
Installation
Manual

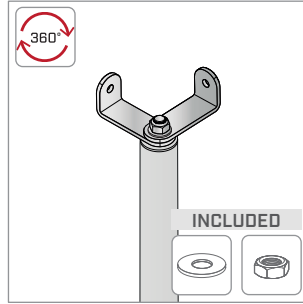
TOWER
TOWERA2
Safety
Regulations



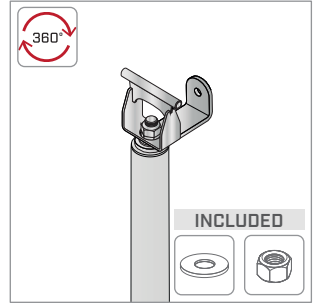
TOWER + PATROLTERM



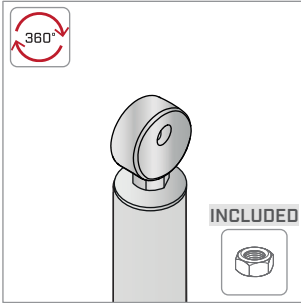
TOWER + PATROLTERML [x2]



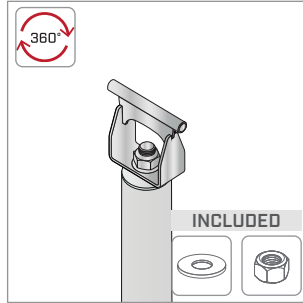
TOWER + PATROLTERML + PASINT



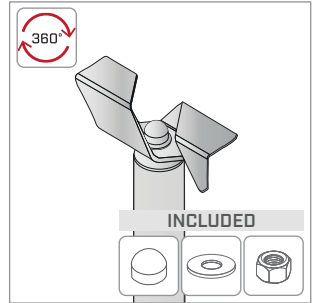
TOWER + PATROLMED



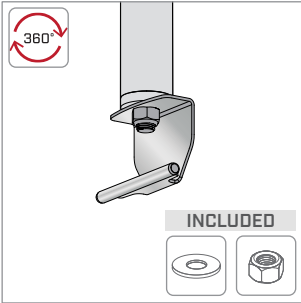
TOWER + PASINT



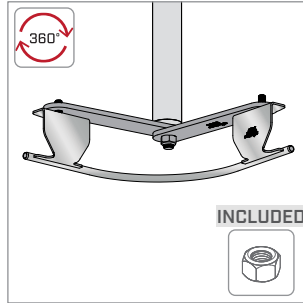
TOWER + PATROLINT



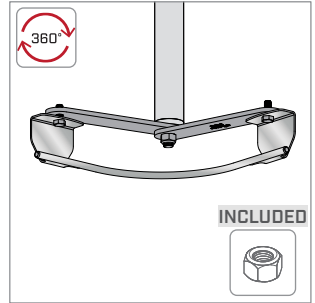
TOWER + OHINT



TOWER + ANGSUP + OHANGEXT



TOWER + ANGSUP + OHANGINT



SUPPORT INSTALLATION

■ ON TOWER

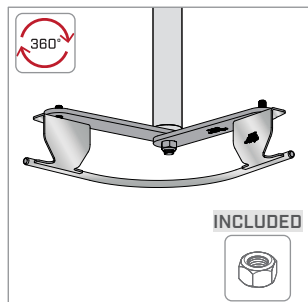


TOWER
TOWERA2
Installation
Manual

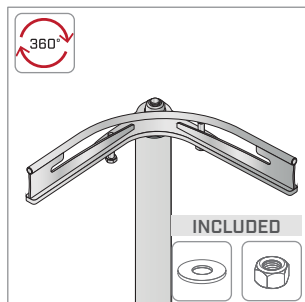
TOWER
TOWERA2
Safety
Regulations



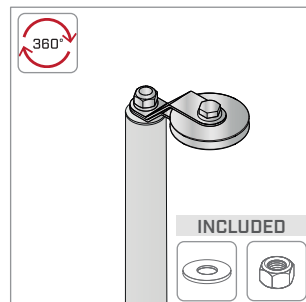
TOWER + ANGSUP + OHANGBEND



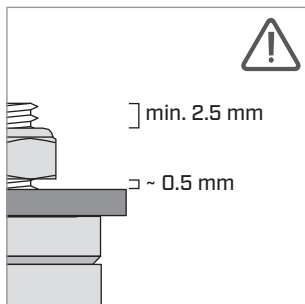
TOWER + PASANG



TOWER + PATROLANG



TOWER + ANGSUP + PASANGBEND



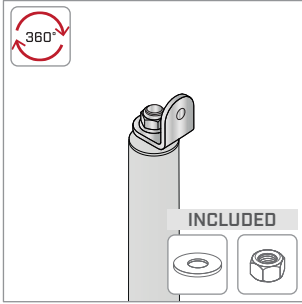


TOWERXL
Installation
Manual

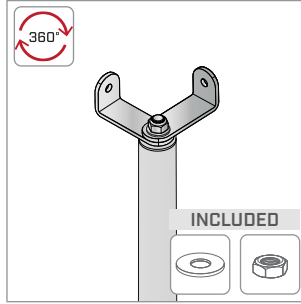


TOWERXL
Safety
Regulations

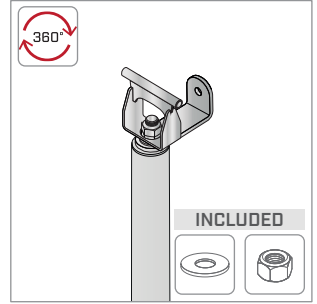
TOWER + PATROLTERM



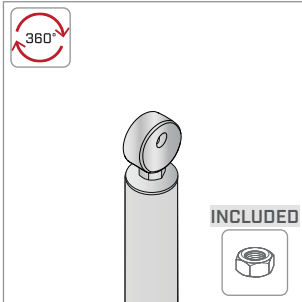
TOWER + PATROLTERML (x2)



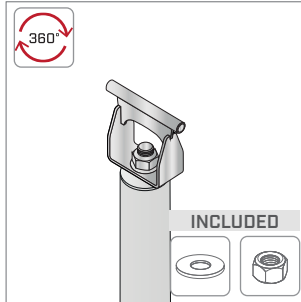
TOWER + PATROLTERML + PASINT



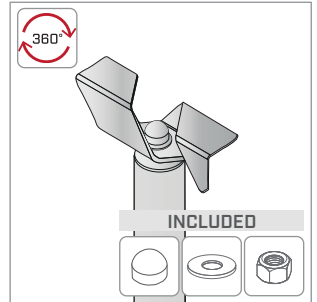
TOWER + PATROLMED



TOWER + PASINT



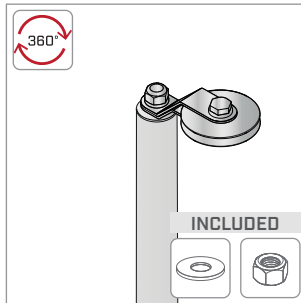
TOWER + PATROLINT



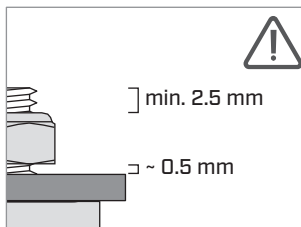
TOWER + PASANG



TOWER + PATROLANG



TOWER + ANGSUP + PASANGBEND



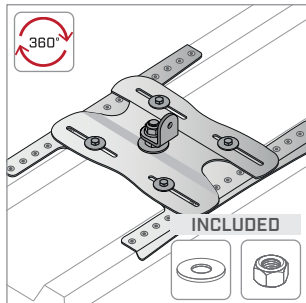
■ ON SHIELD



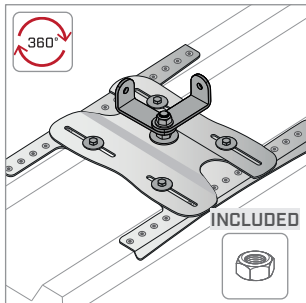
SHIELD-SHIELD4
Installation
Manual

SHIELD-SHIELD4
Safety
Regulations

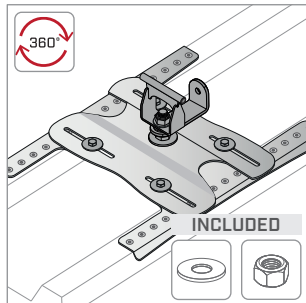
SHIELD + PATROLTERM



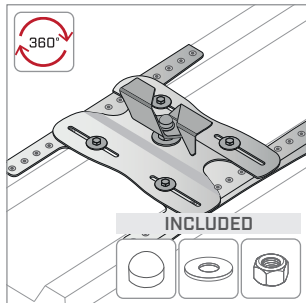
SHIELD + PATROLTERML (x2)



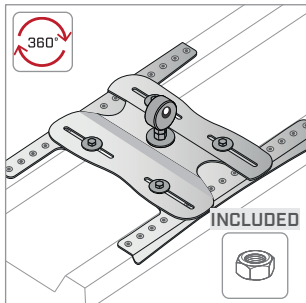
SHIELD + PATROLTERML + PASINT



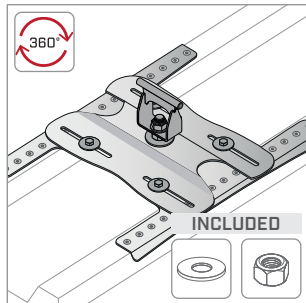
SHIELD + PATROLINT



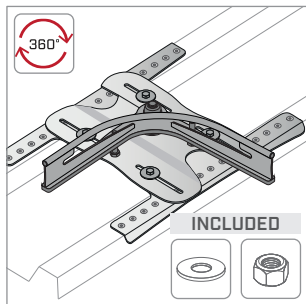
SHIELD + PATROLMED



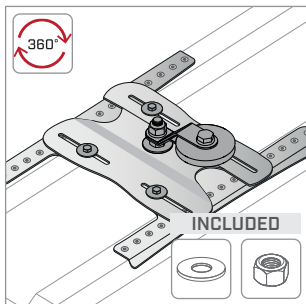
SHIELD + PASINT



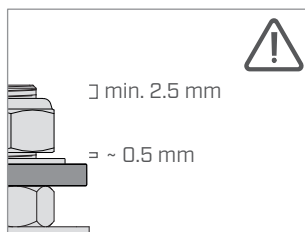
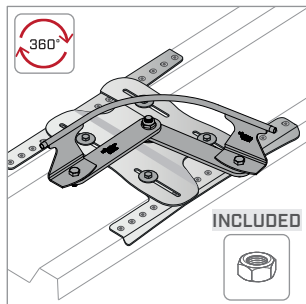
SHIELD + PASANG



SHIELD + PATROLANG



SHIELD + ANGSUP + PASANGBEND



SUPPORT INSTALLATION

■ ON SHIELD 2

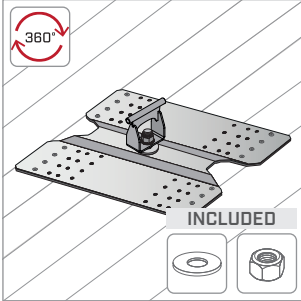


SHIELD2
Installation
Manual

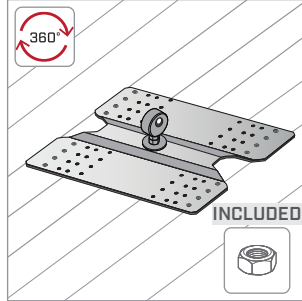


SHIELD2
Safety
Regulations

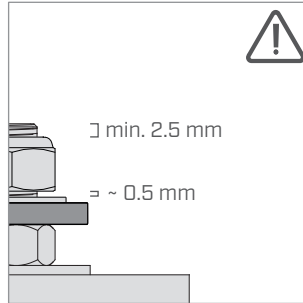
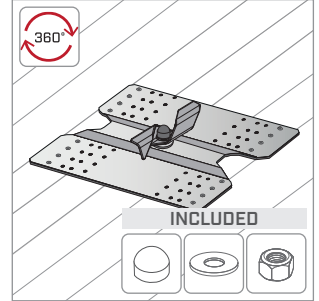
SHIELD 2 + PASINT



SHIELD 2 + PATROLMED



SHIELD 2 + PATROLINT



SUPPORT INSTALLATION

ON COPPO



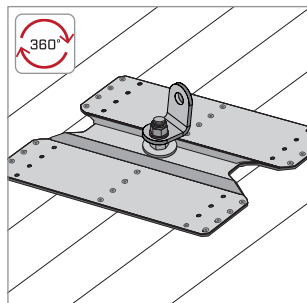
+



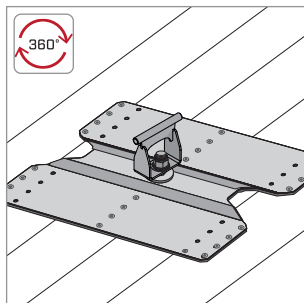
COPPO
Installation
Manual

COPPO
Safety
Regulations

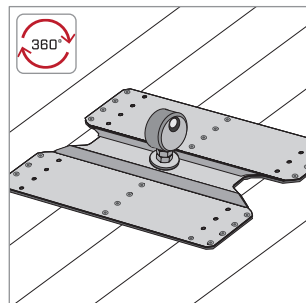
COPPO + PATROLTERM



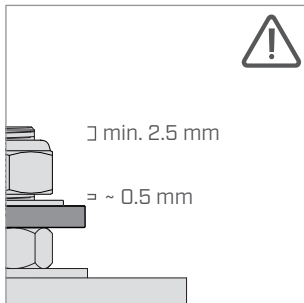
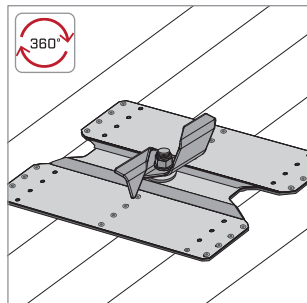
COPPO + PASINT



COPPO + PATROLMED

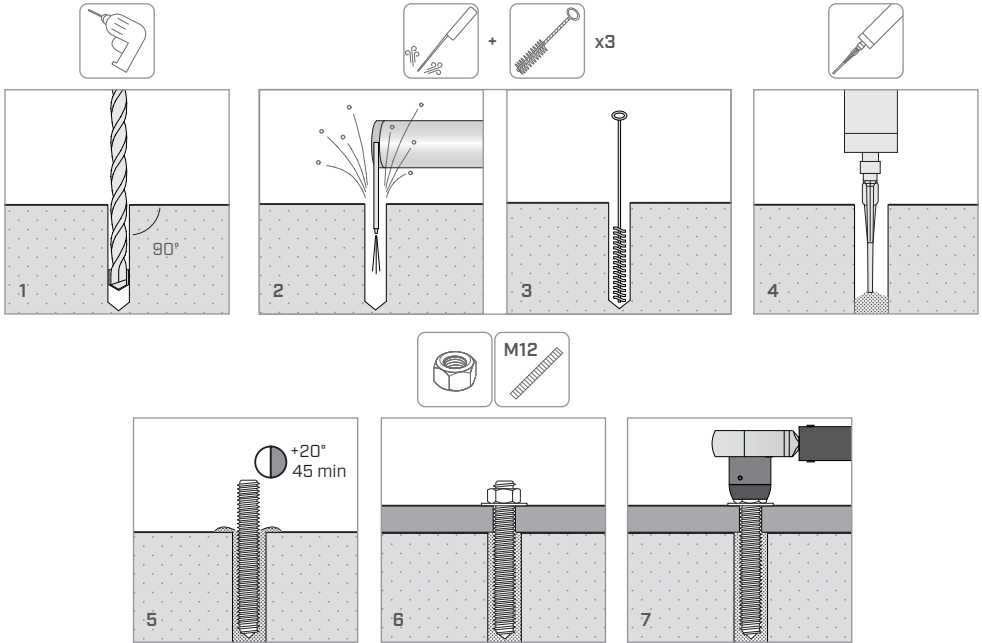


COPPO + PATROLINT

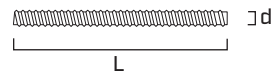
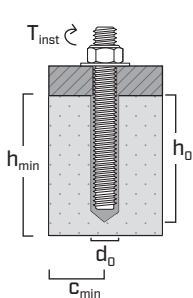


SUBSTRUCTURE INSTALLATION

■ CONCRETE



M12 - 5.8 min

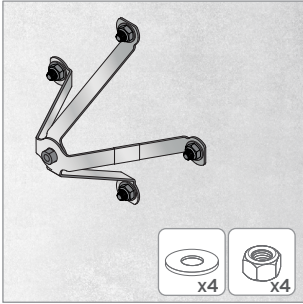


$d = 12 \text{ mm}$	$d_0 = 14 \text{ mm}$
$L \geq h_0 + 25 \text{ mm}$	$h_0 = 70 \text{ mm}$
$T_{inst} = 40 \text{ Nm}$	$h_{min} = h_0 + 30 \geq 100 \text{ mm}$
	$c_{min} \geq 60 \text{ mm}$

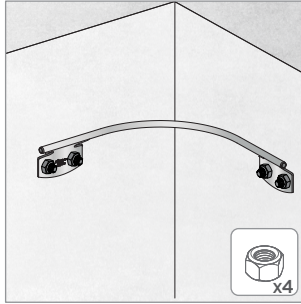
■ CONCRETE



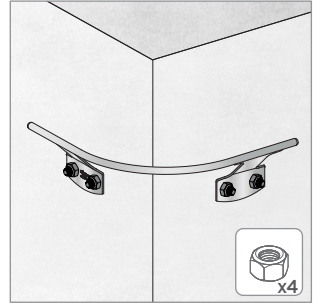
4 X M12
PAREND



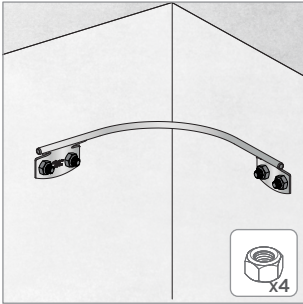
PARINBEND



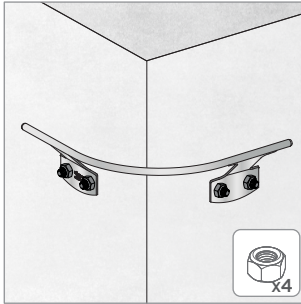
PAREXBEND



PARIN

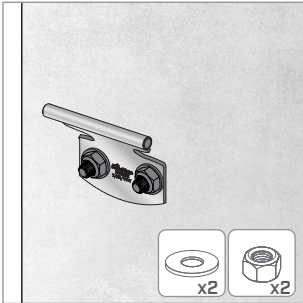


PAREX

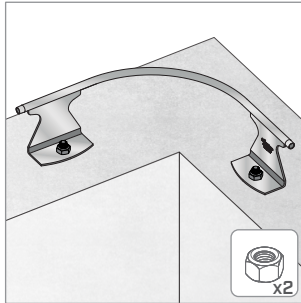


2 X M12

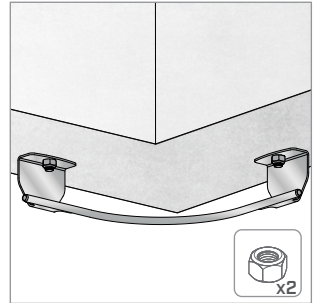
PARINTER



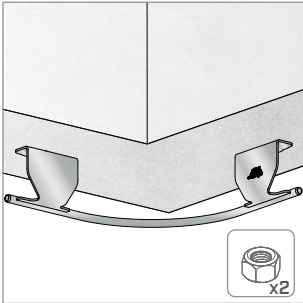
PASANGBEND



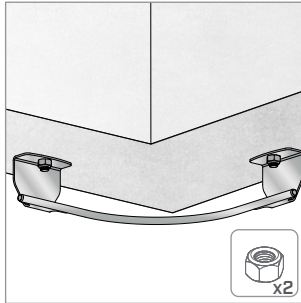
OHANGINT

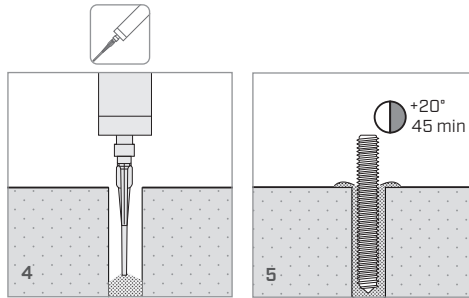
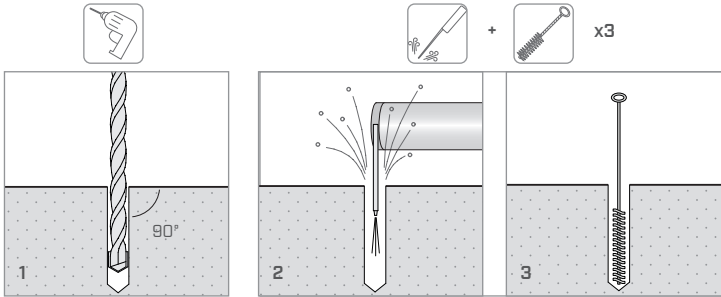
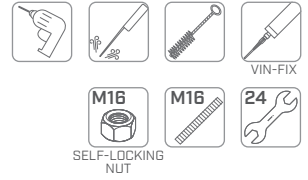


OHANGEXT

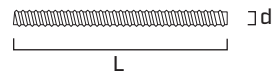
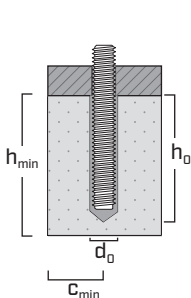


OHANGBEND





M16 - 5.8 min

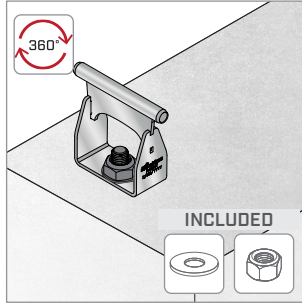


d	=	16 mm	d_0	=	18 mm
L	≥	$h_0 + 30$ mm	h_0	=	80 mm
c_{min}	≥	80 mm	h_{min}	=	116 mm
T_{inst}	=	80 Nm			

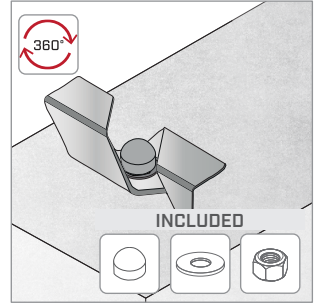
PATROLEND



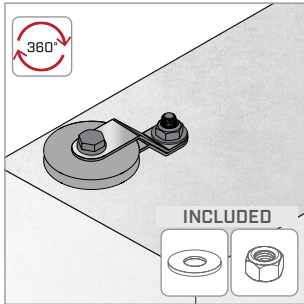
PASINT



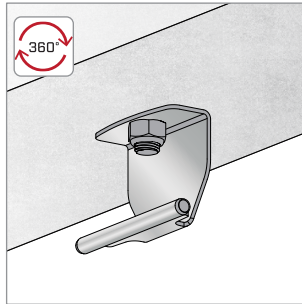
PATROLINT



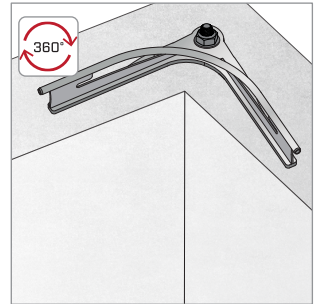
PATROLANG



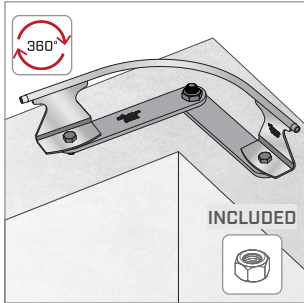
DHINT



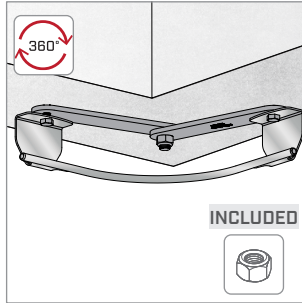
PASANG



PASANGBEND + ANGSUP



DHAGINT + ANGSUP



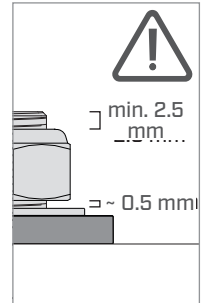
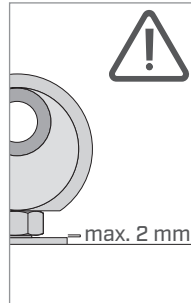
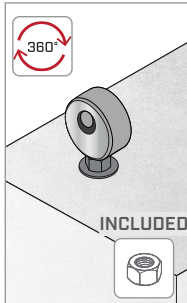
DHANGEXT + ANGSUP

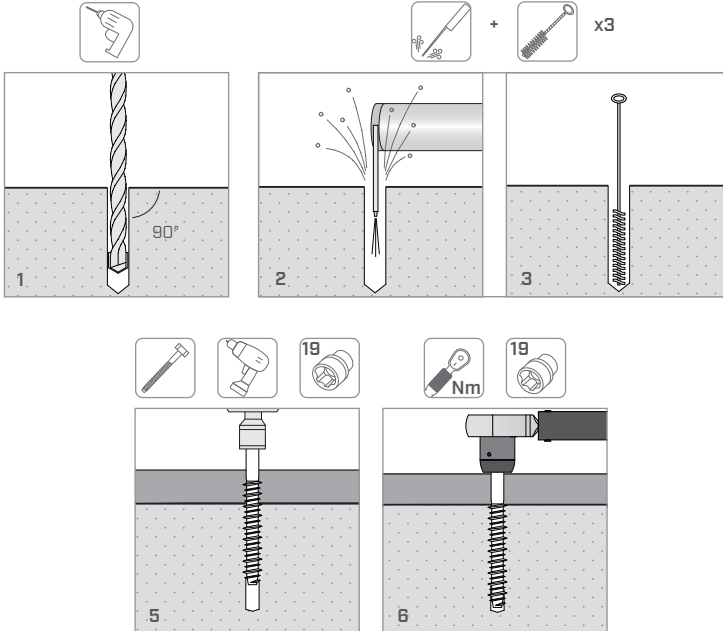


DHANGBEND + ANGSUP

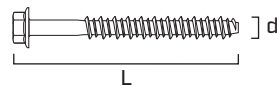
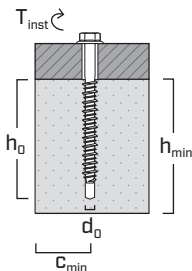


PATROLMED





SKR CE 12 x 90 mm



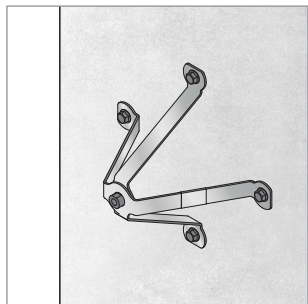
d	= 12 mm	d_0	= 10 mm
L	= 90 mm	h_0	= 100 mm
T_{inst}	= 80 Nm	h_{min}	≥ 130 mm
		c_{min}	≥ 60 mm

■ **CONCRETE**

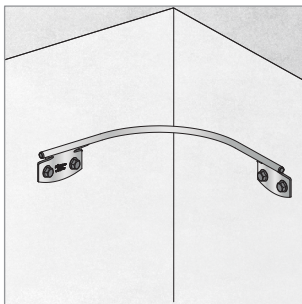


4 X M12

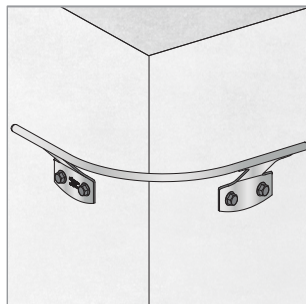
PAREND



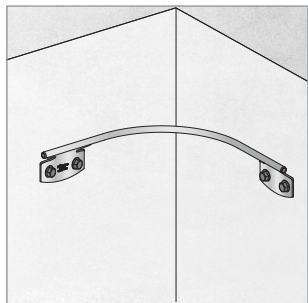
PARINBEND



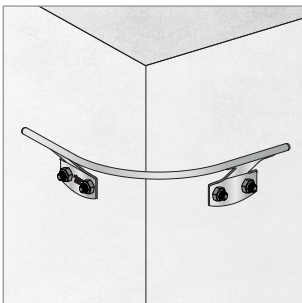
PAREXBEND



PARIN

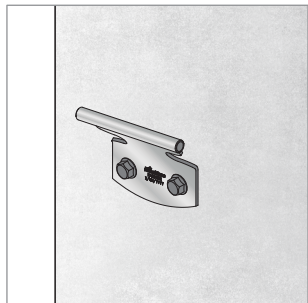


PAREX

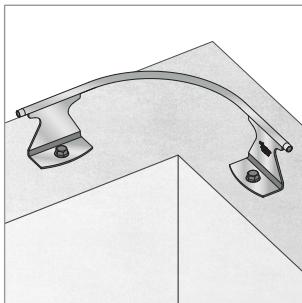


2 X M12

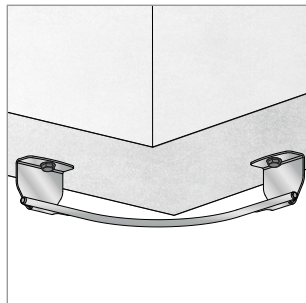
PARINTER



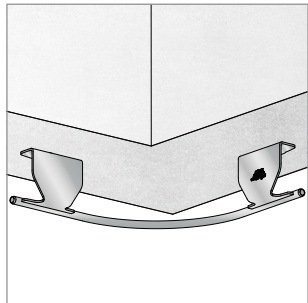
PASANGBEND



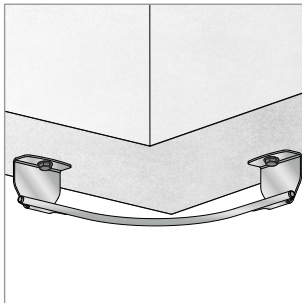
OHANGINT

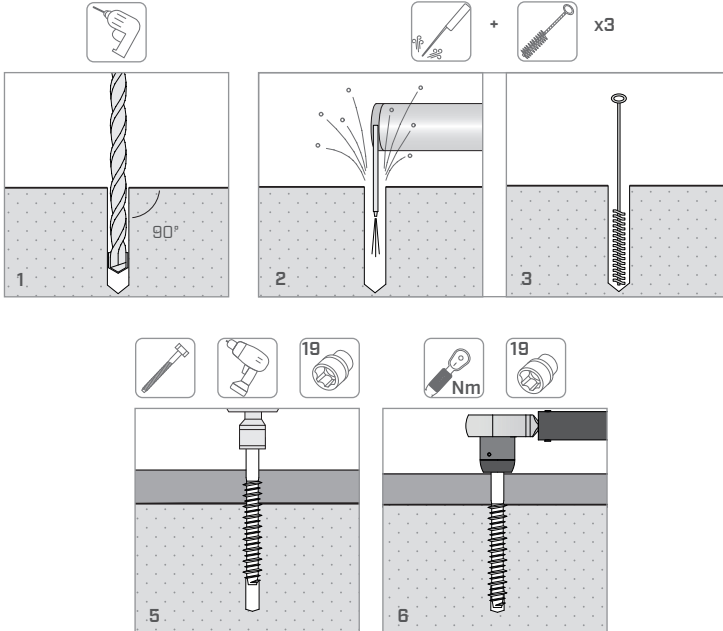


OHANGEXT

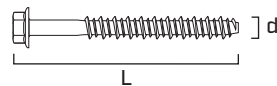
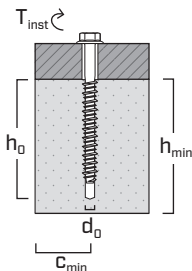


OHANGBEND





SKR CE 16 x 130 mm



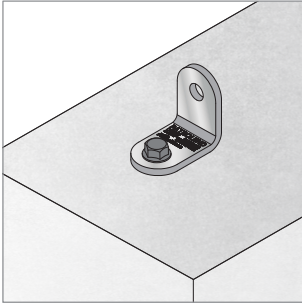
d	$=$	16 mm	d_0	$=$	14 mm
L	$=$	130 mm	h_0	$=$	140 mm
T_{inst}	$=$	160 Nm	h_{min}	\geq	170 mm
			c_{min}	\geq	80 mm

■ **CONCRETE**

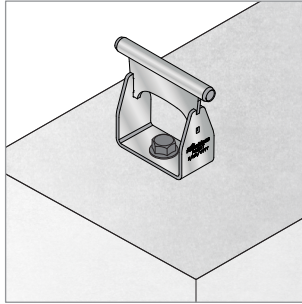
M16



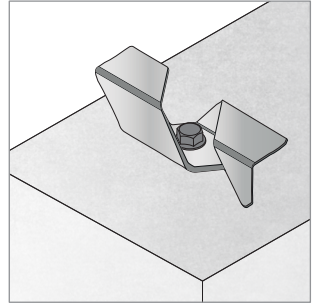
PATROLEND



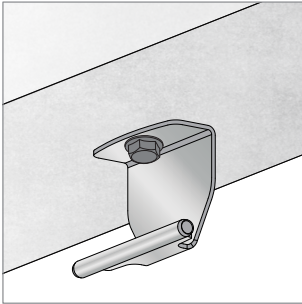
PASINT



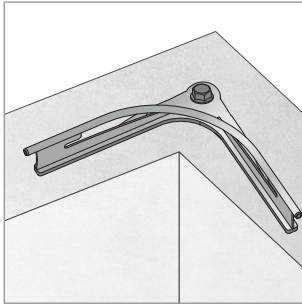
PATROLINT



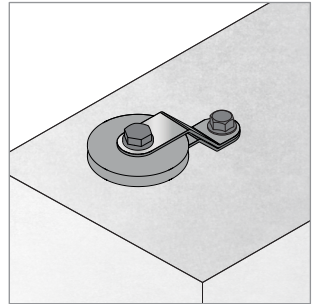
OHINT



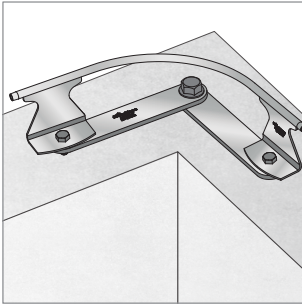
PASANG



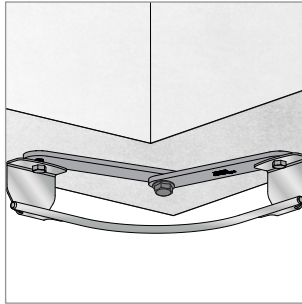
PATROLANG



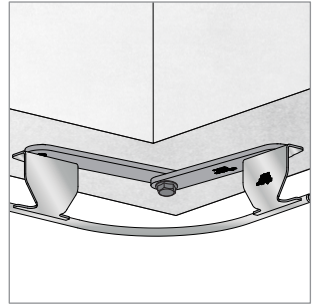
PASANGBEND + ANGSUP



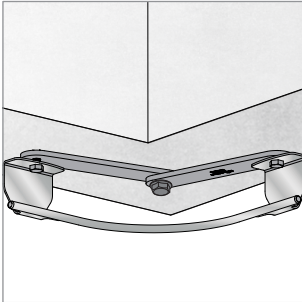
OHANGINT + ANGSUP

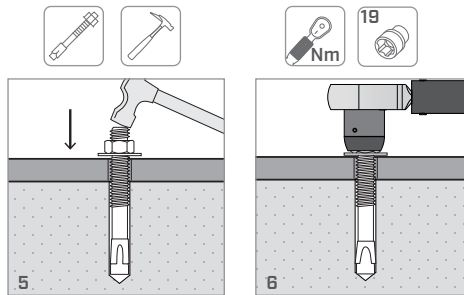
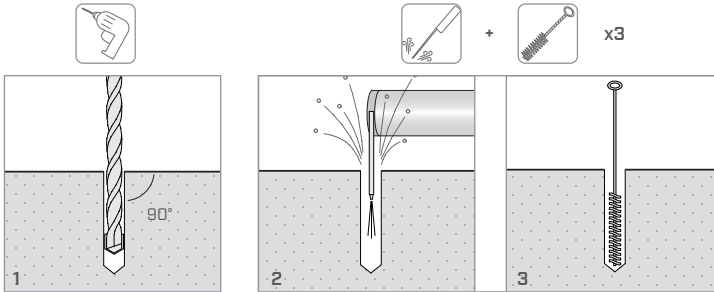


OHANGEXT + ANGSUP

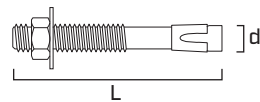
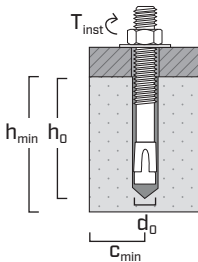


OHANGBEND + ANGSUP





AB1 12 x 100 mm



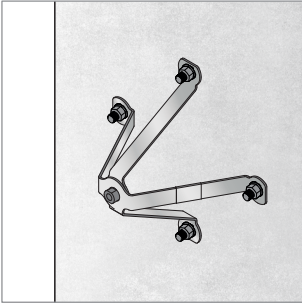
d	$=$	12 mm	d_0	$=$	12 mm
L	$=$	100 mm	h_0	$=$	85 mm
T_{inst}	$=$	60 Nm	h_{min}	\geq	140 mm
			c_{min}	\geq	70 mm

■ **CONCRETE**

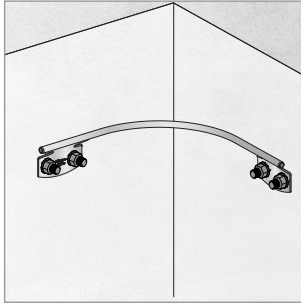


4 X M12

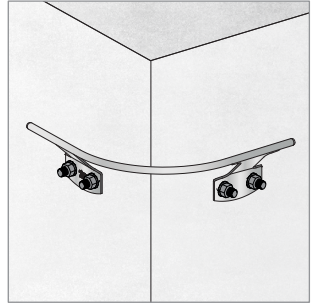
PAREND



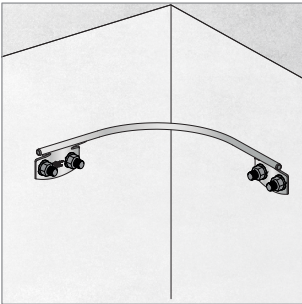
PARINBEND



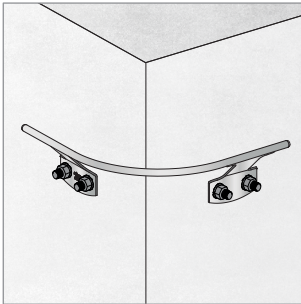
PAREXBEND



PARIN

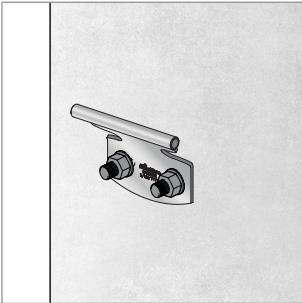


PAREX

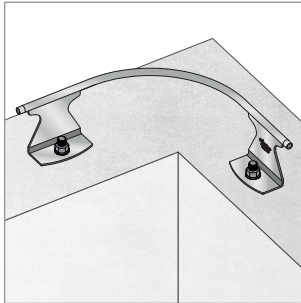


2 X M12

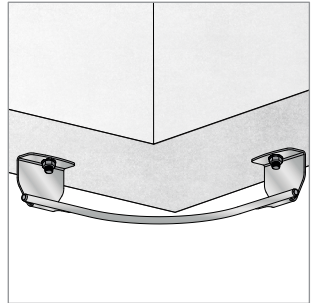
PARINTER



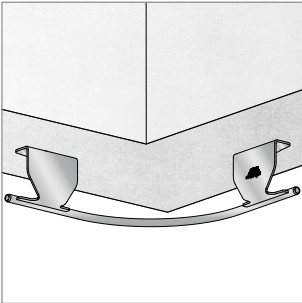
PASANGBEND



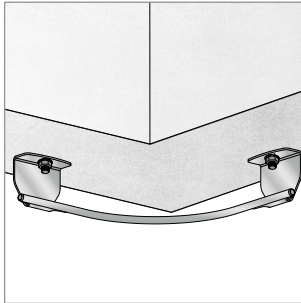
OHANGINT

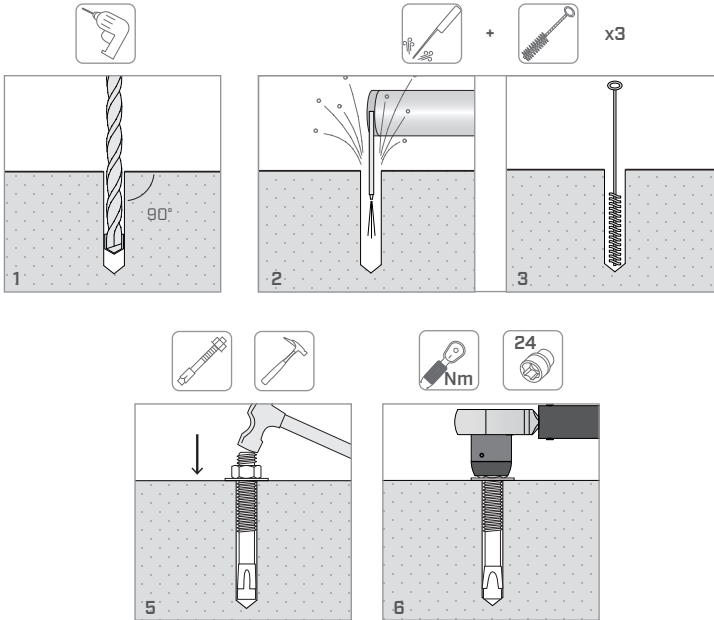
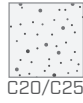


OHANGEXT

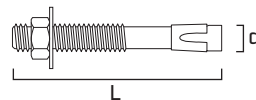
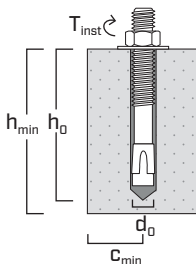
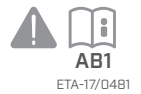


OHANGBEND



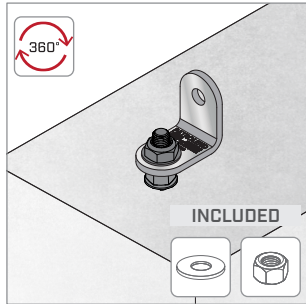


AB1 16 x 145 mm

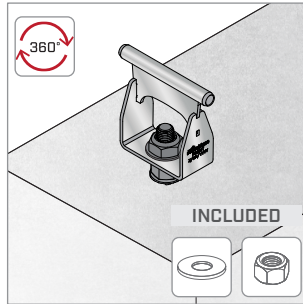


d	$=$	16 mm	d_0	$=$	16 mm
L	$=$	145 mm	h_0	\geq	105 mm
T_{inst}	$=$	100 Nm	h_{min}	\geq	170 mm
			c_{min}	\geq	85 mm

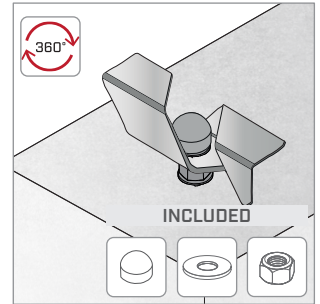
PATROLEND



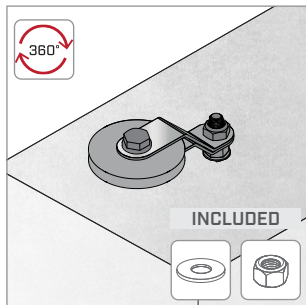
PASINT



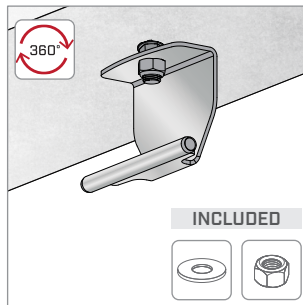
PATROLINT



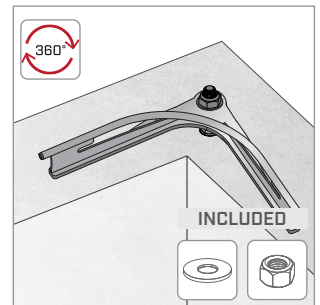
PATROLANG



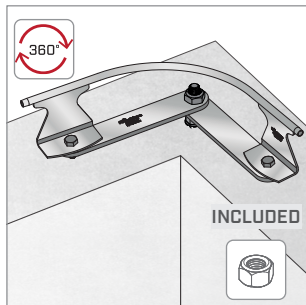
OHINT



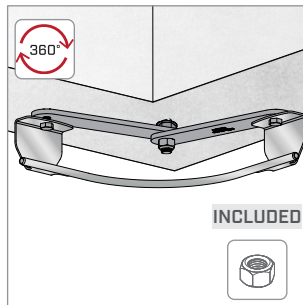
PASANG



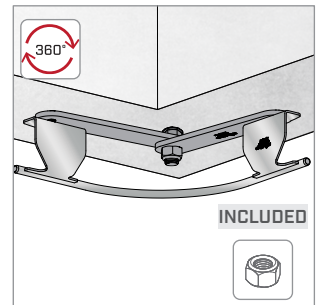
PASANGBEND + ANGSUP



DHAGINT + ANGSUP



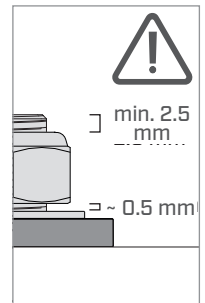
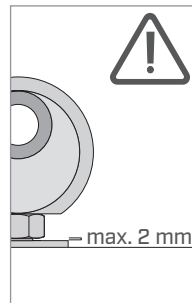
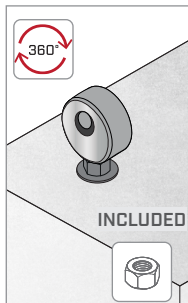
DHANGEXT + ANGSUP



DHANGBEND + ANGSUP



PATROLMED

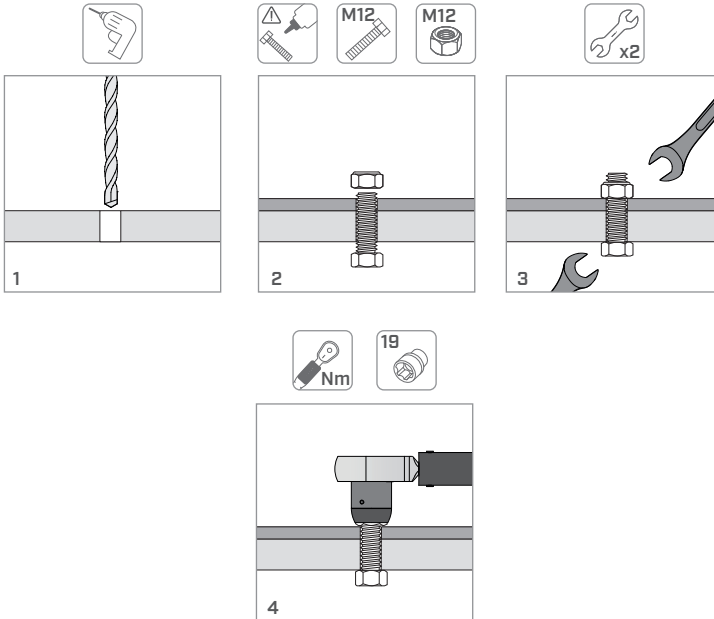




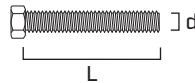
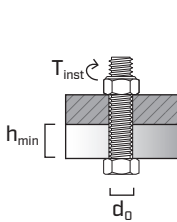
S235



SELF-LOCKING NUT



M12 - A2-70

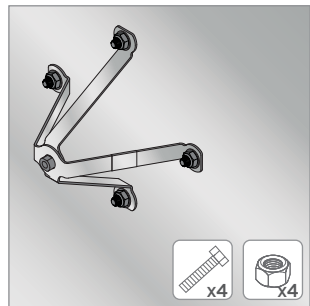


d	=	12 mm	d_0	=	12,5 mm
L	≥	$h_{min} + 25$ mm	h_{min}	≥	5 mm
A2-70	▶	$T_{inst} = 30$ Nm			

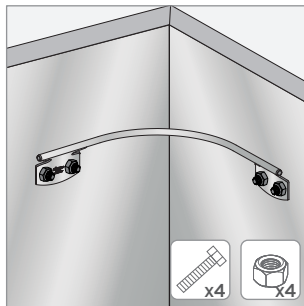
STEEL

4 X M12

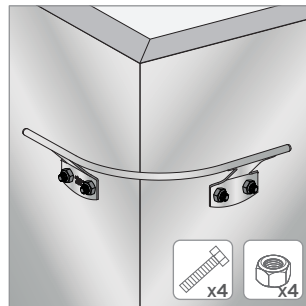
PAREND



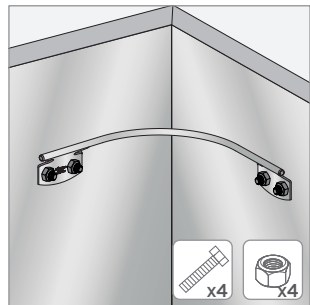
PARINBEND



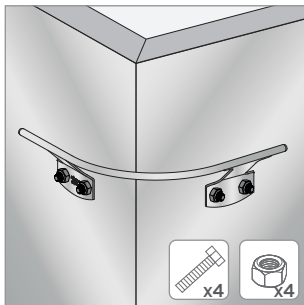
PAREXBEND



PARIN

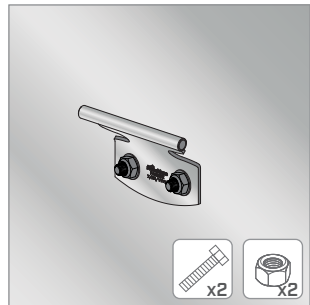


PAREX

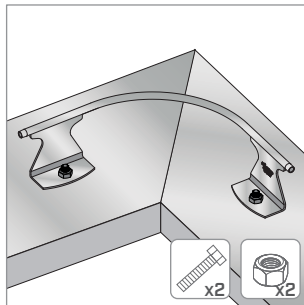


2 X M12

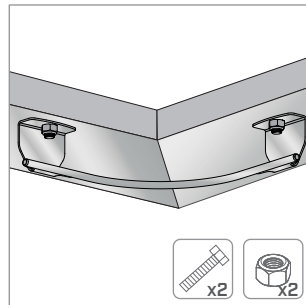
PARINTER



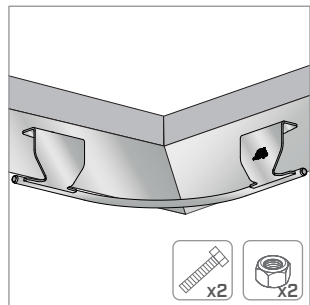
PASANGBEND



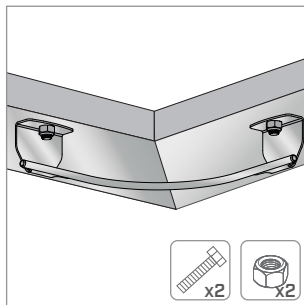
OHANGINT



OHANGEXT

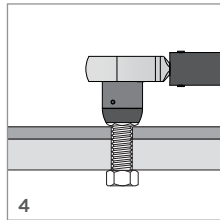
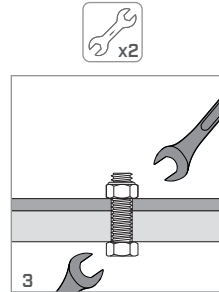
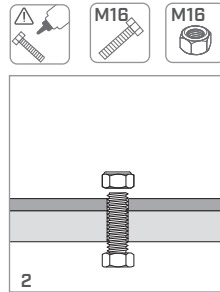
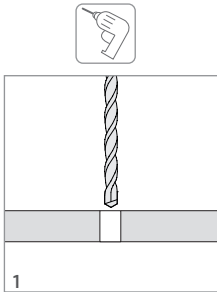


OHANGBEND

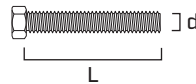
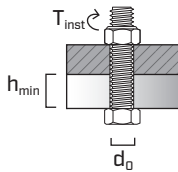




SELF-LOCKING NUT



M16 - A2-70



$$d = 16 \text{ mm} \quad \left| \quad d_0 = 16,5 \text{ mm} \right.$$

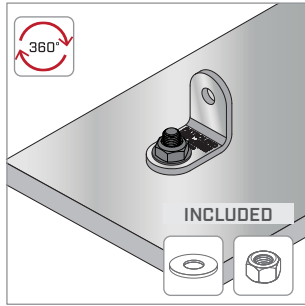
$$L \geq h_{\min} + 45 \text{ mm} \quad \left| \quad h_{\min} \geq 5 \text{ mm} \right.$$

STEEL

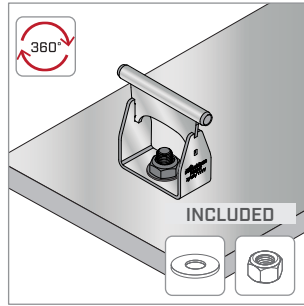
M16



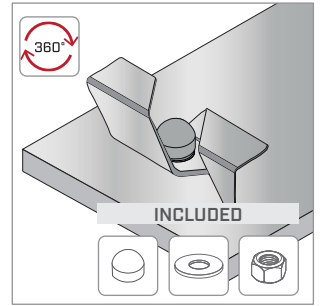
PATROLEND



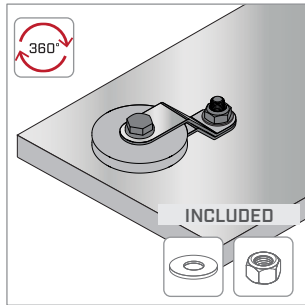
PASINT



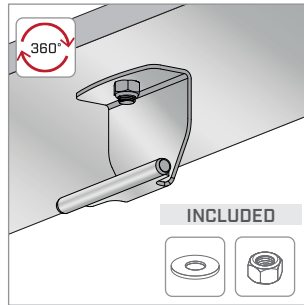
PATROLINT



PATROLANG



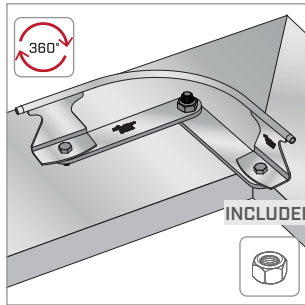
OHINT



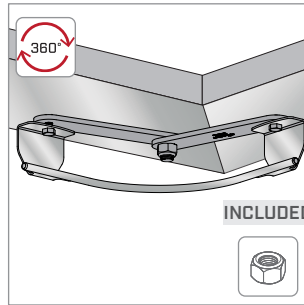
PASANG



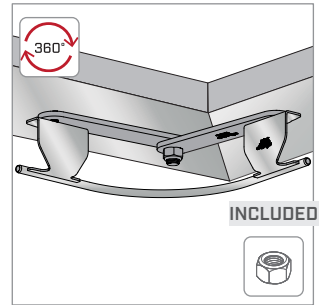
PASANGBEND + ANGSUP



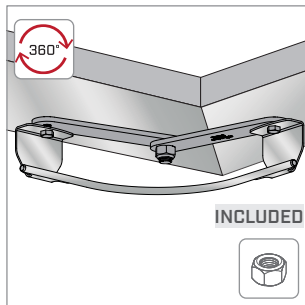
DHAGINT + ANGSUP



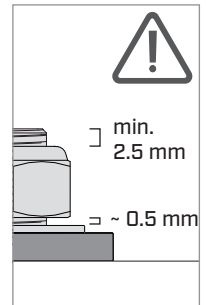
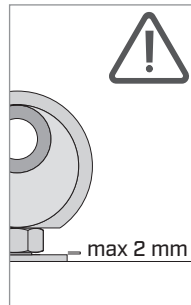
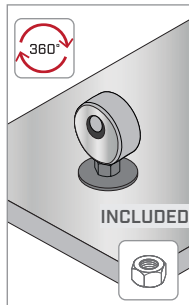
DHANGEXT + ANGSUP



DHANGBEND + ANGSUP

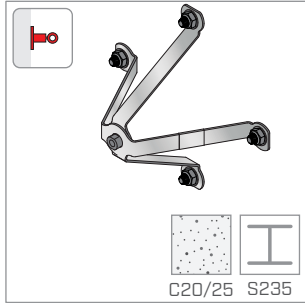


PATROLMED

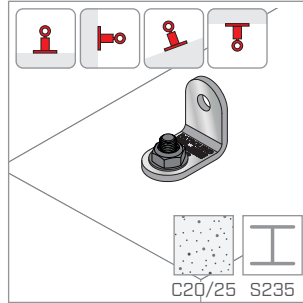


■ **TERMINAL SUPPORTS INSTALLATION**

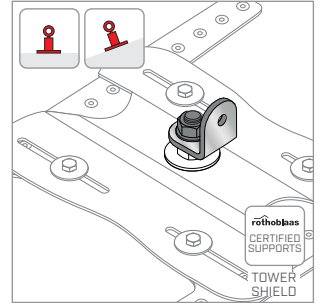
PAREND



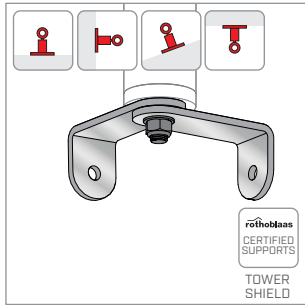
PATROLEND



PATROLTERM

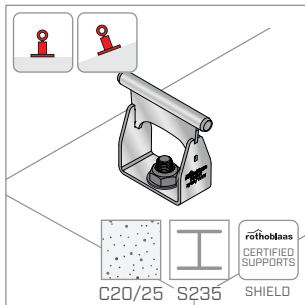


PATROLTERM L

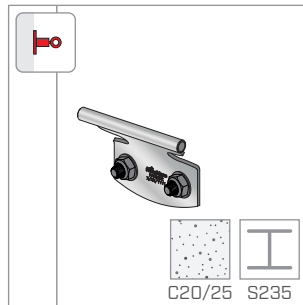


■ **INTERMEDIATE SUPPORTS INSTALLATION**

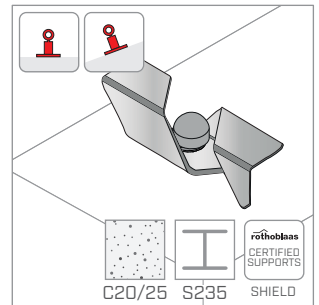
PASINT



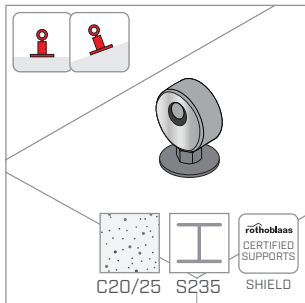
PARINTER



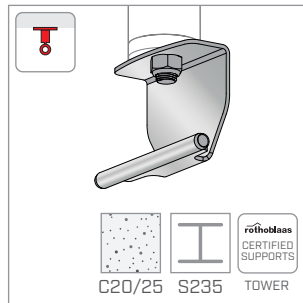
PATROLINT



PATROLMED

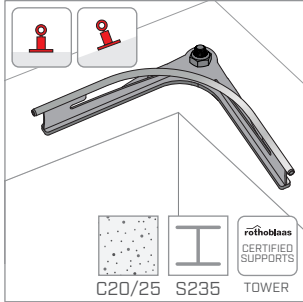


OHINT

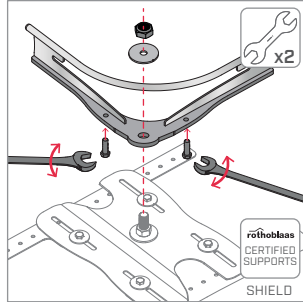


CORNER SUPPORTS INSTALLATION

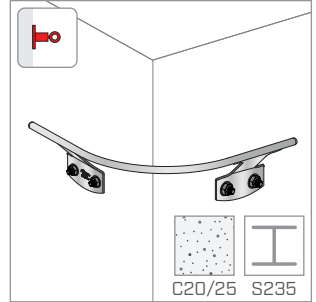
PASANG



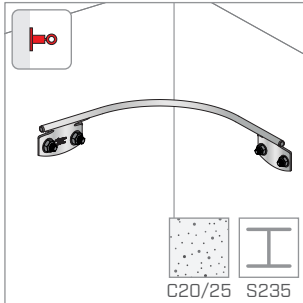
PASANG + SHIELD



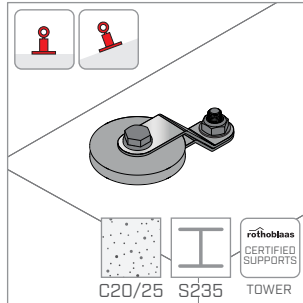
PAREX



PARIN

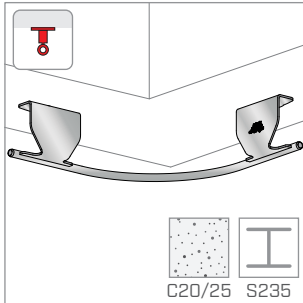


PATROLANG

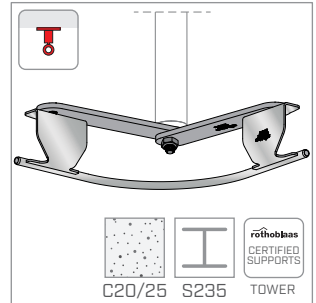
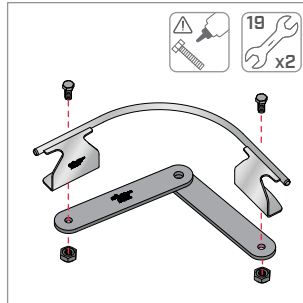


OVERHEAD CORNER SUPPORTS INSTALLATION

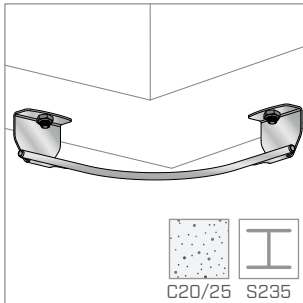
DHANGEXT/DHANGBEND



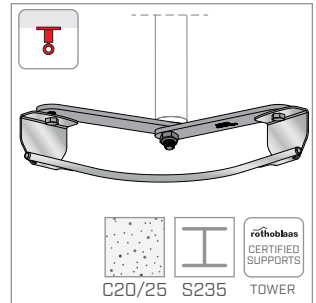
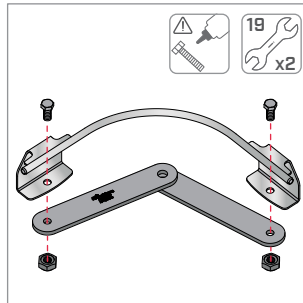
DHANGEXT/DHANGBEND + ANGSUP



DHANGINT/DHANGBEND

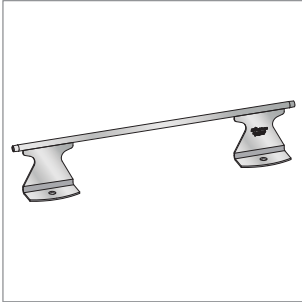


DHANGINT/DHANGBEND + ANGSUP

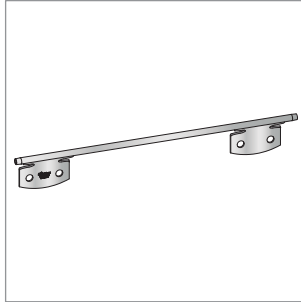


■ **ADJUSTABLE CORNER SUPPORTS INSTALLATION**

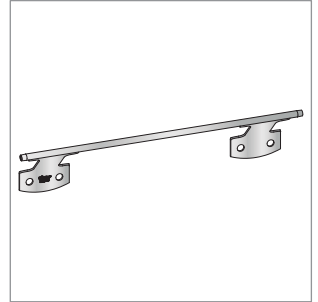
PASANGBEND



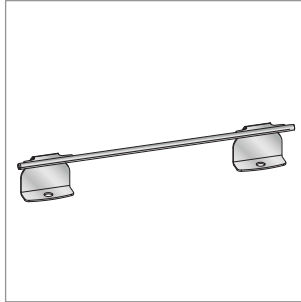
PARINBEND



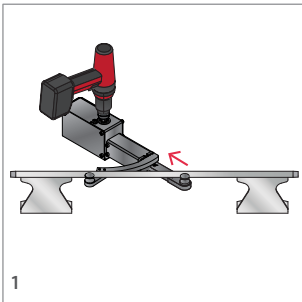
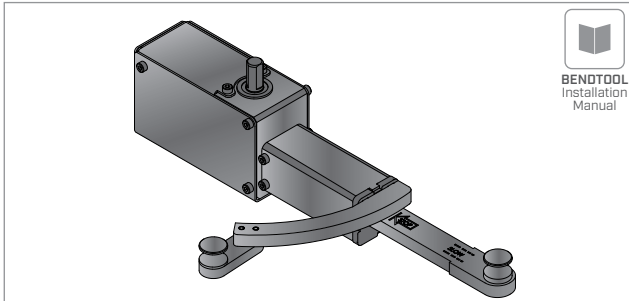
PAREXBEND



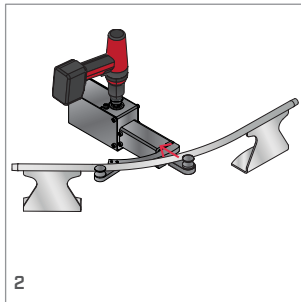
OHANGBEND



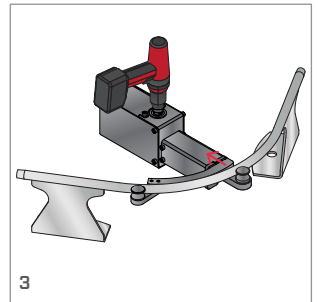
BENDTOOL



1



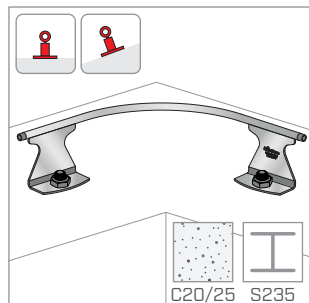
2



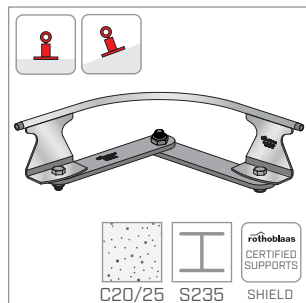
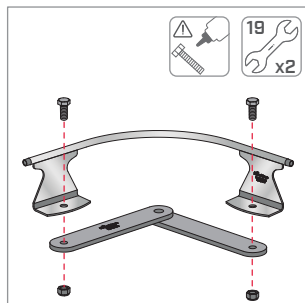
3

■ **ADJUSTABLE CORNER SUPPORTS INSTALLATION**

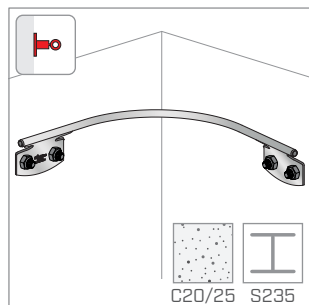
PASANGBEND



PASANGBEND + ANGSUP



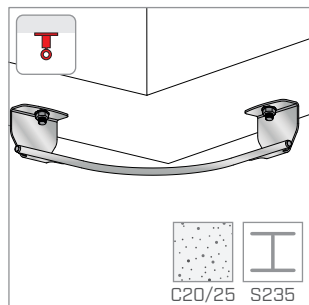
PARINBEND



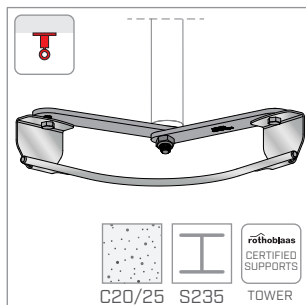
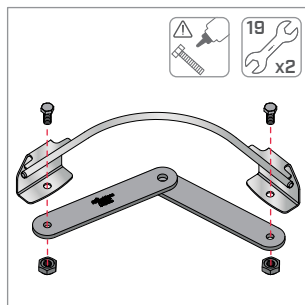
PAREXBEND



OHANGBEND



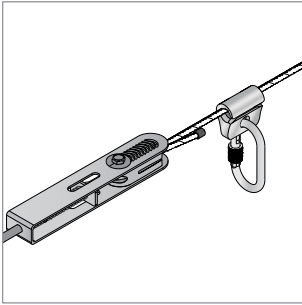
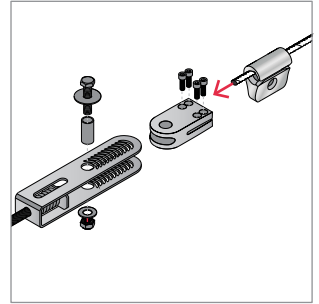
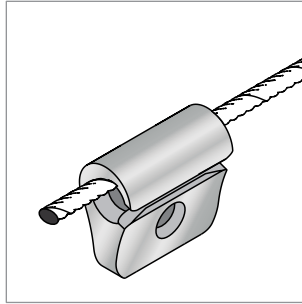
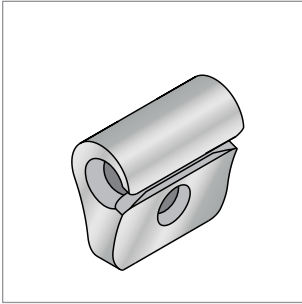
OHANGBEND + ANGSUP



■ SLIDE 2 INSTALLATION



SLIDE1-SLIDE2-OHSLIDE
Installation
Manual

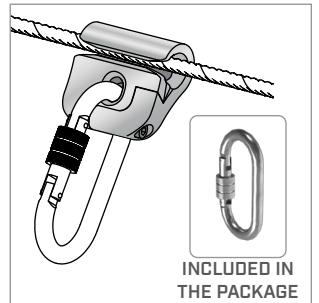
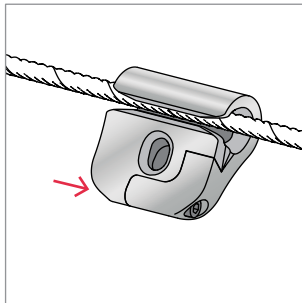
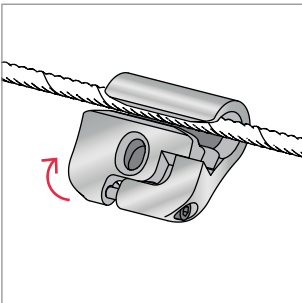
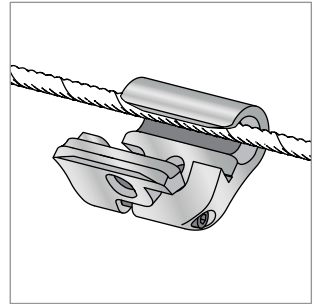
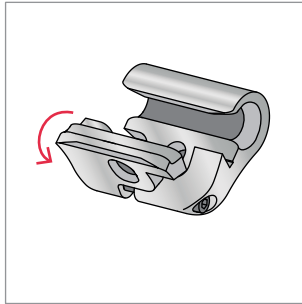
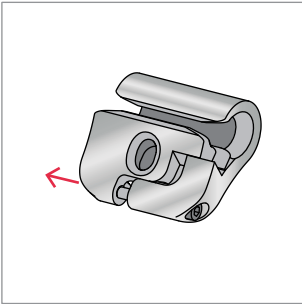


INCLUDED IN
THE PACKAGE



SLIDE1-SLIDE2-OHSLIDE
Installation
Manual

■ SLIDE 1 INSTALLATION



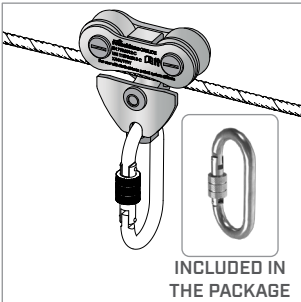
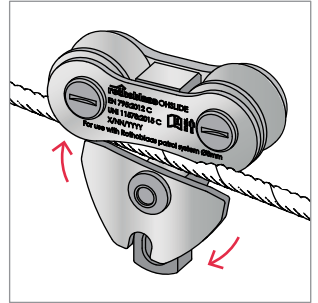
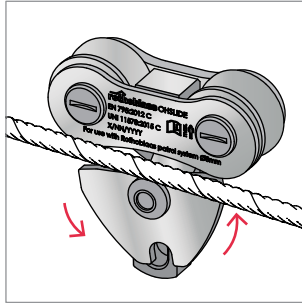
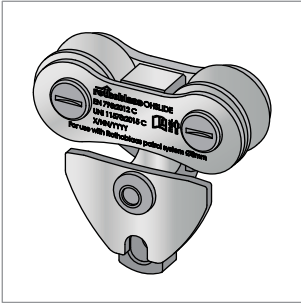
INCLUDED IN
THE PACKAGE

LIFELINE INSTALLATION

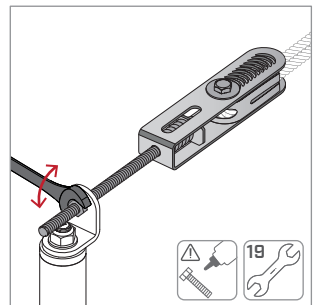
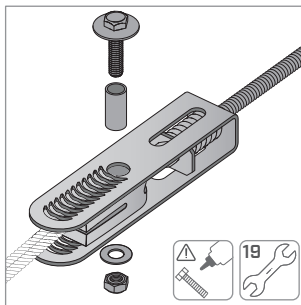
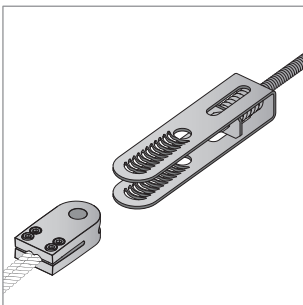
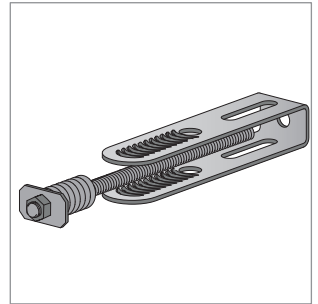
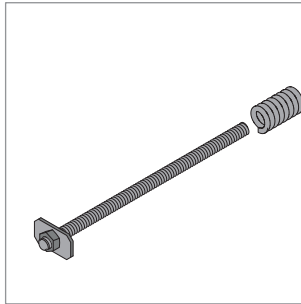
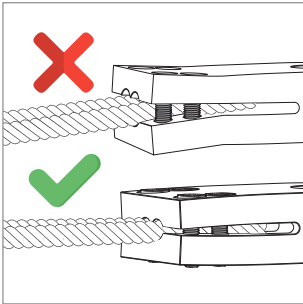
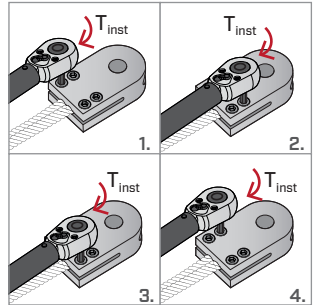
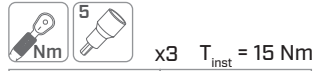
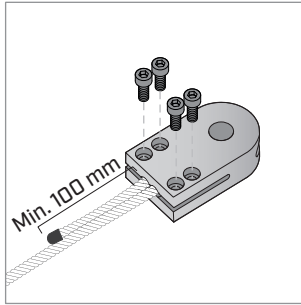
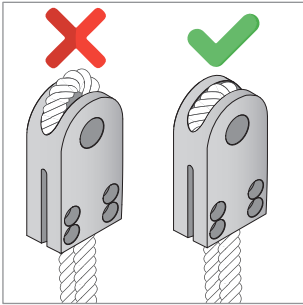
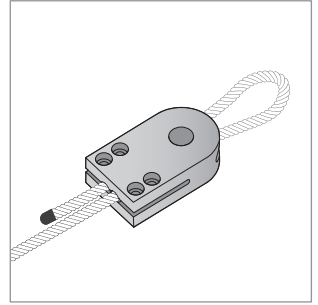
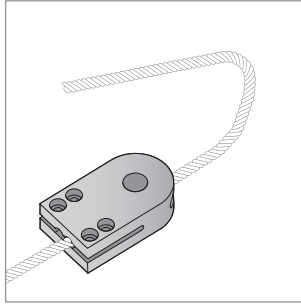
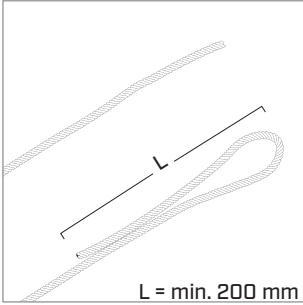
OHSLIDE INSTALLATION



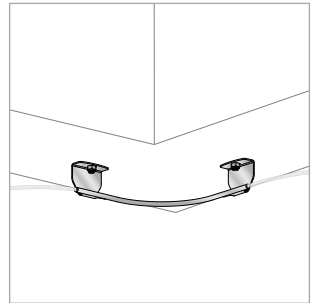
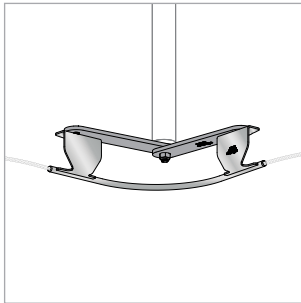
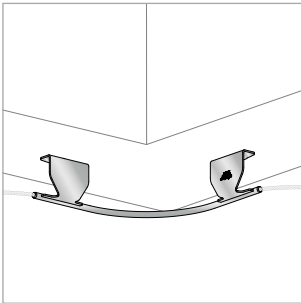
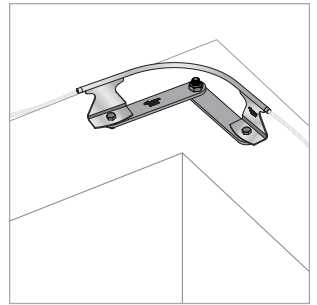
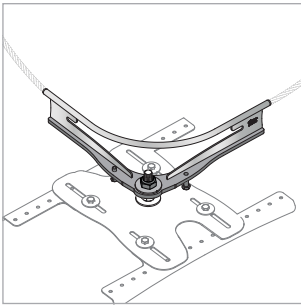
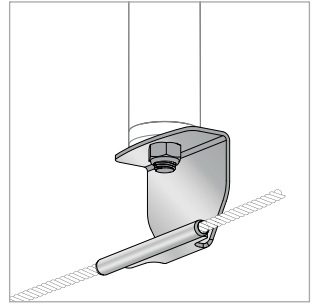
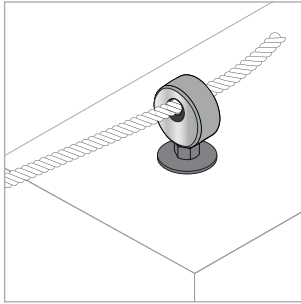
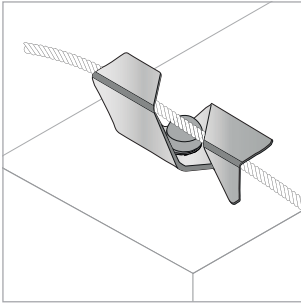
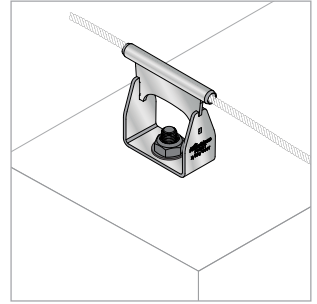
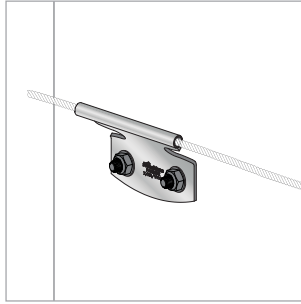
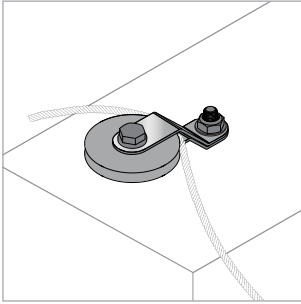
SLIDE1-SLIDE2-OHSLIDE
Installation
Manual



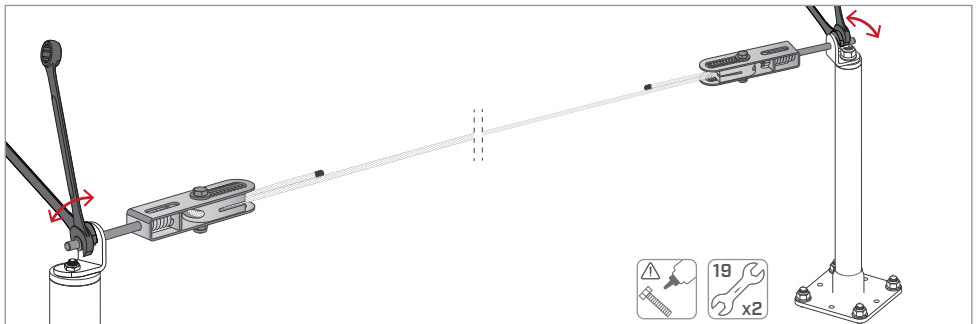
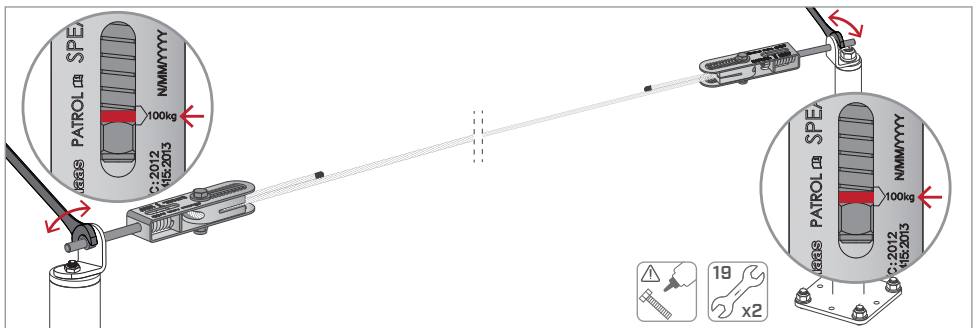
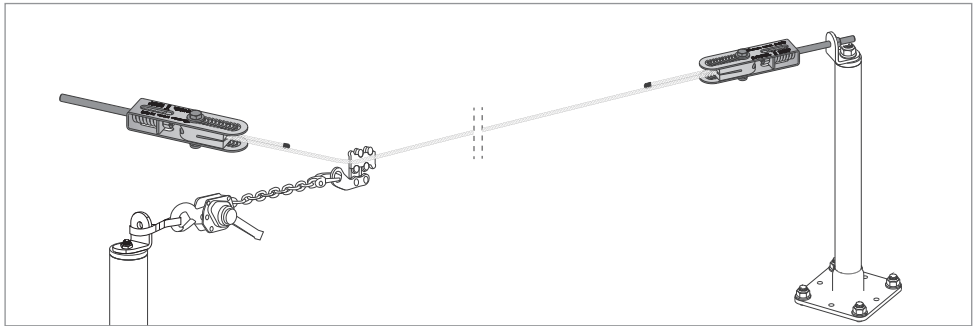
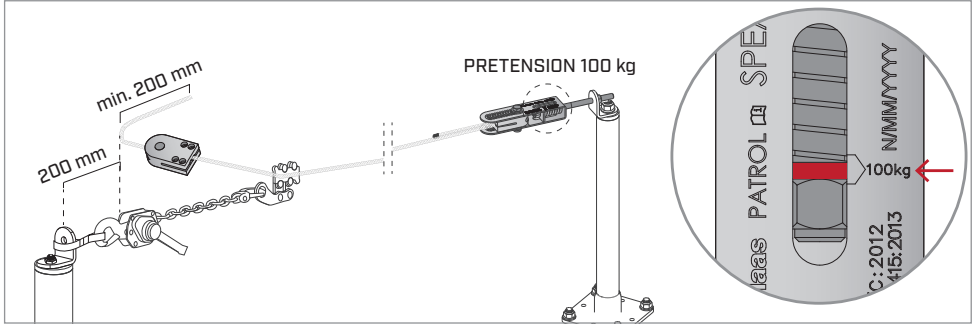
SPEAR INSTALLATION



■ CABLE INSTALLATION



■ **SPEAR INSTALLATION**





ROTHO BLAAS SRL

10-24

Via dell'Adige N.2/1 | 39040, Cortaccia (BZ) | Italia
Tel: +39 0471 81 84 00 | Fax: +39 0471 81 84 84
info@rothoblaas.com | www.rothoblaas.com

